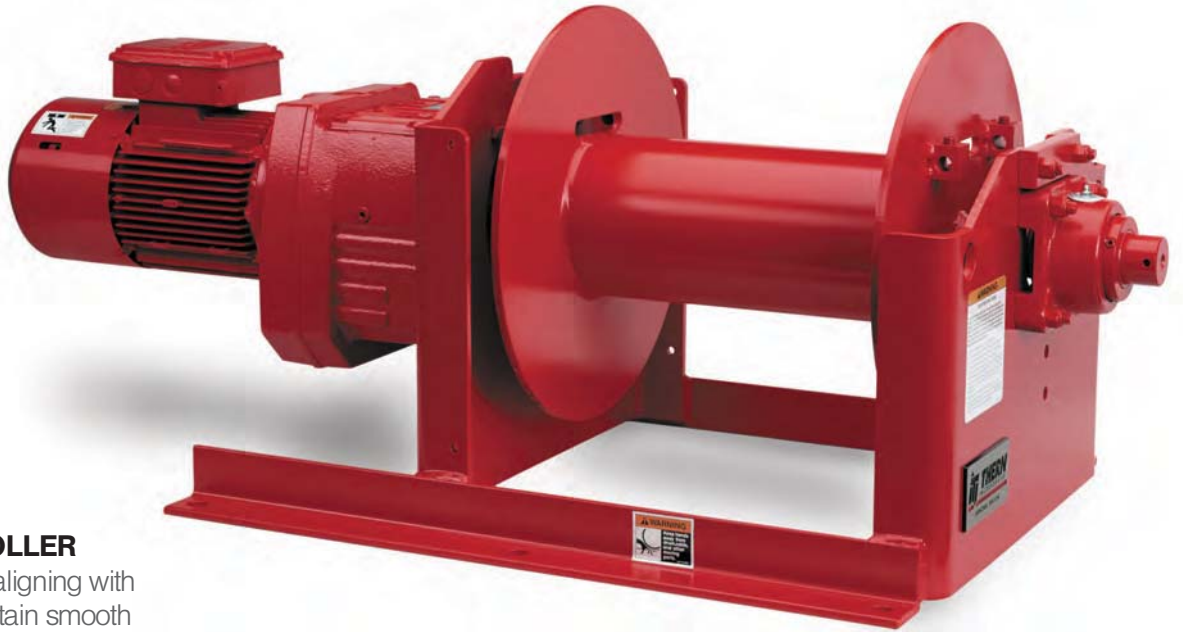


POWER WINCHES HEAVY DUTY

4HPF Series - 2000 to 25,000 lb capacity

Thern 4HPF series power winches feature helical/parallel, high efficiency gearing making them ideal for applications requiring long travel distances and faster line speeds. The enclosed, direct-drive gearing design delivers dependable operation and helps reduce maintenance, while a modular design means we can easily customize these winches to meet your exact specifications.



FLANGE STYLE ROLLER

BEARINGS are self-aligning with cast housings to maintain smooth drum rotation.

WELDED STEEL DRUM with outside flange anchors allow for uniform winding and help extend life of wire rope. Anchors allow cable to be over wound or under wound from either side of the drum.

EXTENDED SOLID STEEL DRUM SHAFT for uniform loading.

FLANGE MOUNTED MOTOR is a 230/460 volt 3 phase motor, 60 cycle, IP 55, TEFC severe duty, reversible, class F insulated, continuous duty brake motor.

Standard motors comply with relevant standards including NEMA, MG1, ANSI, CSA, IEC and ABS.

DIRECT DRIVE GEAR

REDUCERS, comprised of helical/parallel gears, deliver high efficiencies from 88% to 94% making winches well suited for applications requiring long travel distances and faster line speeds.

The heat treated helical/parallel gear set provides improved durability and operates in an oil bath, enclosed in a high strength cast iron gearcase, SAE class 30. Double-lip oil seals keep oil in and contaminants out. Large capacity bearings ensure long life. Speed reducers meet AGMA standards.

LOAD HOLDING MOTOR DISC BRAKE is spring set, electrically released for positive load control.

WIRE ROPE ASSEMBLIES sold separately per customer request.

ANSI B30.7 COMPLIANCE is available. Please contact the Thern.

2 YEAR "MOVE IT WITH CONFIDENCE" LIMITED WARRANTY leads the industry.



2000 to 25,000 lb capacity - 4HPF Series

Model	Clutch Option	HP	Load Rating	Line Speed
4HPF2M	4HPF2MC	1 - 2	2000 lb	20 - 35 fpm
4HPF3M	4HPF3MC	1.5 - 3	3000 lb	20 - 35 fpm
4HPF5M	4HPF5MC	3 - 5	5000 lb	20 - 35 fpm
4HPF7M	4HPF7MC	5 - 7.5	7000 lb	25 - 40 fpm
4HPF9M	4HPF9MC	5 - 10	9000 lb	20 - 40 fpm
4HPF15M	4HPF15MC	10 - 15	15,000 lb	20 - 35 fpm
4HPF20M	—	10 - 25	20,000 lb	20 - 40 fpm
4HPF25M	—	15 - 30	25,000 lb	20 - 40 fpm

OPTIONS AND ACCESSORIES

DRUM MODIFICATIONS (A) include grooved drums, multiple compartment drums and modified drum widths and diameters.

MANUALLY OPERATED JAW CLUTCH (B) disengages for rapid payout of wire rope when not under load. Adjustable drag brake on the drum prevents over-spooling during payout. Clutch option is for horizontal pulling only.

WINCH MOUNTING OPTIONS include base, wall or under hung installation.

CABLE PRESSURE BARS (C) help maintain uniform winding of wire rope.

LIMIT SWITCHES (D) provide secondary shut-off for load travel in one or two directions.

MOTOR OPTIONS include air or hydraulic, voltage or phase changes, IP 65, class F or H insulated and multi-speed operation.

DUTY RATINGS include IEEE 45 marine duty, tropical duty, severe duty and explosion proof ratings.

BRAKE OPTIONS include over-speed, caliper style, band, and more.

CONTROLS (E) are available in a wide range of standard and custom configurations for single or variable speed.

CORROSION RESISTANT FINISHES for harsh or hazardous environments.

MANUAL OVERRIDES for winch operation in power loss situations.



Shown with double compartment drum modification.



Shown with cable pressure bar and grooved drum modification.



POWER WINCHES HEAVY DUTY

4HPF Series Performance Characteristics

Model	Model Number Extensions			Motor HP	Load Rating						Line Speed			
	Load Rating	Line Speed	Motor Codes ¹		1st Layer		Mid Drum		Full Drum		1st Layer		Full Drum	
	(lb)	(fpm)			(lb)	(kg)	(lb)	(kg)	(lb)	(kg)	(fpm)	(mpm)	(fpm)	(mpm)
4HPF2M	2000	20	D, E, F	1	2100	953	1300	590	1000	454	17	5.2	38	11.6
4HPF2M	2000	35	D, E, F	2	2100	953	1300	590	1000	454	34	10.4	76	23.2
4HPF3M	3000	20	D, E, F	1.5	3000	1361	2100	953	1600	726	19	5.8	33	10.1
4HPF3M	3000	35	D, E, F	3	3300	1497	2300	1044	1800	817	33	10.1	59	18.0
4HPF5M	5000	20	D, E, F	3	5000	2268	3100	1407	2300	1044	22	6.7	49	14.9
4HPF5M	5000	35	D, E, F	5	5000	2268	3100	1407	2300	1044	37	11.3	81	24.7
4HPF7M	7000	25	D, E, F	5	7300	3312	5400	2450	4300	1951	24	7.3	40	12.2
4HPF7M	7000	40	D, E, F	7.5	7300	3312	5400	2450	4300	1951	38	11.6	64	19.5
4HPF9M	9000	20	D, E, F	5	9000	4083	6500	2949	5100	2314	21	6.4	37	11.3
4HPF9M	9000	40	D, E, F	10	9000	4083	6500	2949	5100	2314	41	12.5	73	22.3
4HPF15M	15,000	25	D, E, F	10	14,300	6487	10,900	4945	8800	3992	26	7.9	41	12.5
4HPF15M	15,000	35	D, E, F	15	15,100	6850	11,500	5217	9300	4219	36	11.0	59	18.0
4HPF20M	20,000	20	D, E, F	10	20,100	9118	14,100	6396	10,800	4899	17	5.2	31	9.4
4HPF20M	20,000	40	D, E, F	25	20,100	9118	14,000	6351	10,800	4899	43	13.1	81	24.7
4HPF25M	25,000	20	D, E, F	15	25,200	11,431	19,200	8710	15,500	7031	20	6.1	32	9.8
4HPF25M	25,000	40	D, E, F	30	25,000	11,340	19,000	8619	15,400	6986	42	12.8	68	20.7
4HPF2MC ²	2000	20	D, E, F	1	2100	953	1300	590	1000	454	17	5.2	38	11.6
4HPF2MC ²	2000	35	D, E, F	2	2100	953	1300	590	1000	454	34	10.4	75	22.9
4HPF3MC ²	3000	20	D, E, F	1.5	3300	1497	2300	1044	1800	817	17	5.2	60	18.3
4HPF3MC ²	3000	35	D, E, F	3	3300	1497	2300	1044	1800	817	34	10.4	61	18.6
4HPF5MC ²	5000	20	D, E, F	3	5000	2268	3100	1407	2300	1044	21	6.4	45	13.7
4HPF5MC ²	5000	35	D, E, F	5	5000	2268	3100	1407	2300	1044	36	11.0	80	24.4
4HPF7MC ²	7000	25	D, E, F	5	7300	3312	5400	2450	4300	1951	25	7.6	42	12.8
4HPF7MC ²	7000	35	D, E, F	7.5	7300	3312	5400	2450	4300	1951	36	11.0	61	18.6
4HPF9MC ²	9000	20	D, E, F	5	9000	4083	6500	2949	5100	2314	21	6.4	37	11.3
4HPF9MC ²	9000	40	D, E, F	10	9000	4083	6500	2949	5100	2314	41	12.5	73	22.3
4HPF15MC ²	15,000	20	D, E, F	10	15,100	6850	11,500	5217	9300	4219	22	6.7	36	11.0
4HPF15MC ²	15,000	35	D, E, F	15	15,200	6895	11,600	5262	9400	4264	35	10.7	57	17.4

Please contact Them or nearest Them Distributor for firm fixed price and delivery.

² Manual clutch models.

Electric Motor Controls

Model	Description	Approx. Ship Wt.	
		(lb)	(kg)
10S3D4	electric motor controls 230/3/60 to 3 hp	25	12
10S7D4	electric motor controls 230/3/60 to 7.5 hp	25	12
10S10D4	electric motor controls 230/3/60 to 10 hp	28	13
10S20D4	electric motor controls 230/3/60 to 20 hp	28	13
10S30D4	electric motor controls 230/3/60 to 30 hp	60	28
10S7E4	electric motor controls 460/3/60 to 7.5 hp	25	12
10S15E4	electric motor controls 460/3/60 to 15 hp	25	12
10S20E4	electric motor controls 460/3/60 to 20 hp	28	13
10S40E4	electric motor controls 460/3/60 to 40 hp	60	28

Controls include NEMA 4 rated enclosure, and NEMA 4x rated pendant control on 50 foot cord.

Motor Controls sold separately. Please contact Them or nearest Them Distributor for firm fixed price and delivery. All prices include mounting and wiring to motor.

Motor Codes

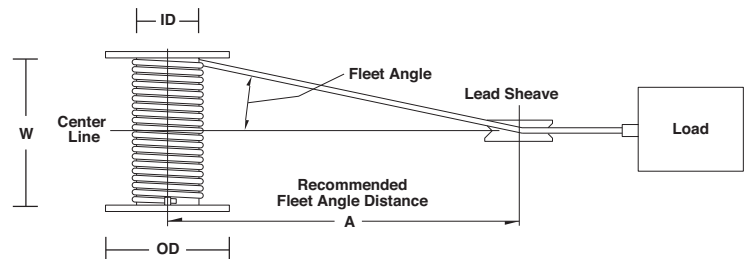
D	230 volt	3 phase
E	460 volt	3 phase
F	All other voltages, please contact Them	

4HPF Series Drum Dimensions

Model	Drum Diameter (ID)		Flange Diameter (OD)		Drum Width (W)		Fleet Angle Dist (A) ³	
	(in)	(mm)	(in)	(mm)	(in)	(mm)	(ft)	(m)
4HPF2M	4.5	114	12	305	10	254	16	4.9
4HPF3M	5.5	140	12	305	10	254	16	4.9
4HPF5M	7	178	18	457	16	406	26	7.9
4HPF7M	9	229	18	457	16	406	26	7.9
4HPF9M	10.75	273	22	559	20	508	32	9.8
4HPF15M	11.5	292	22	559	20	508	32	9.8
4HPF20M	14	356	30	762	30	762	48	14.6
4HPF25M	16	406	30	762	30	762	48	14.6

³ Recommended minimum distance between drum and lead sheave for smooth drum.

Dimensions are for reference only and subject to change without notice. Please contact Them for exact dimensions.



HEAVY DUTY POWER WINCHES

4HPF Series Drum Capacities

Wire Rope Dia.		Breaking Strength ⁴		Drum Capacity	4HPF2M		4HPF3M		4HPF5M		4HPF7M		4HPF9M		4HPF15M		4HPF20M		4HPF25M				
(in)	(mm)	(lb)	(kg)		(ft)	(m)	(ft)	(m)	(ft)	(m)	(ft)	(m)	(ft)	(m)	(ft)	(m)	(ft)	(m)	(ft)	(m)			
1/4	6.4	7,000 ⁵	3,175	1st	43	13.1	51	15.5	-	-	-	-	-	-	-	-	-	-	-	-	-		
				Mid	370	112.8	340	103.6	-	-	-	-	-	-	-	-	-	-	-	-	-	-	-
				Full	830	253.0	750	228.6	-	-	-	-	-	-	-	-	-	-	-	-	-	-	-
5/16	7.9	9,800 ⁵	4,445	1st	34	10.4	41	12.5	87	26.5	-	-	-	-	-	-	-	-	-	-	-		
				Mid	250	76.2	230	70.1	950	289.6	-	-	-	-	-	-	-	-	-	-	-	-	-
				Full	560	170.7	500	152.4	2120	646.2	-	-	-	-	-	-	-	-	-	-	-	-	-
3/8	9.7	15,100	6,849	1st	27	8.2	33	10.1	70	21.3	-	-	-	-	-	-	-	-	-	-	-		
				Mid	180	54.9	160	48.8	680	207.3	-	-	-	-	-	-	-	-	-	-	-	-	-
				Full	400	121.9	360	109.7	1520	463.3	-	-	-	-	-	-	-	-	-	-	-	-	-
7/16	11.2	20,400	9,254	1st	23	7	28	8.5	60	18.3	76	23.2	-	-	-	-	-	-	-	-	-		
				Mid	130	39.6	120	36.6	510	155.4	450	137.2	-	-	-	-	-	-	-	-	-	-	-
				Full	300	91.4	270	82.3	1140	347.5	990	301.8	-	-	-	-	-	-	-	-	-	-	-
1/2	12.7	26,600	12,066	1st	-	-	-	-	52	15	66	20.1	-	-	-	-	-	-	-	-	-		
				Mid	-	-	-	-	400	121	350	106.7	-	-	-	-	-	-	-	-	-	-	-
				Full	-	-	-	-	890	271	770	234.7	-	-	-	-	-	-	-	-	-	-	-
9/16	14.2	33,600	15,240	1st	-	-	-	-	46	14.0	58	17.7	89	27.1	-	-	-	-	-	-	-		
				Mid	-	-	-	-	320	97.5	280	85.3	540	164.6	-	-	-	-	-	-	-	-	-
				Full	-	-	-	-	710	216.4	620	189	1210	368.8	-	-	-	-	-	-	-	-	-
5/8	16.0	41,200	18,688	1st	-	-	-	-	-	-	51	15.5	78	23.8	84	25.6	-	-	-	-	-		
				Mid	-	-	-	-	-	-	230	70.1	440	134.1	420	128	-	-	-	-	-	-	-
				Full	-	-	-	-	-	-	510	155.5	990	301.8	940	286.5	-	-	-	-	-	-	-
3/4	19.1	58,800	26,671	1st	-	-	-	-	-	-	-	-	65	19.8	69	21	130	39.6	-	-	-		
				Mid	-	-	-	-	-	-	-	-	-	310	94.5	300	91.4	930	283.5	-	-	-	-
				Full	-	-	-	-	-	-	-	-	-	700	213.4	660	201.2	2070	630.9	-	-	-	-
7/8	22.4	79,600	36,106	1st	-	-	-	-	-	-	-	-	54	16.5	57	17.4	110	33.5	-	-	-		
				Mid	-	-	-	-	-	-	-	-	230	70.1	210	64	670	204.2	-	-	-	-	
				Full	-	-	-	-	-	-	-	-	500	152.4	480	146.3	1490	454.2	-	-	-	-	
1	25.4	103,400	46,902	1st	-	-	-	-	-	-	-	-	47	14.3	57	17.4	97	29.6	110	33.5	-		
				Mid	-	-	-	-	-	-	-	-	180	54.9	210	64	520	158.5	470	143.3	-	-	
				Full	-	-	-	-	-	-	-	-	390	118.9	480	146.3	1160	353.6	1050	320	-	-	
1-1/8	28.7	130,000	58,968	1st	-	-	-	-	-	-	-	-	-	-	-	-	85	25.9	96	29.3	-		
				Mid	-	-	-	-	-	-	-	-	-	-	-	-	-	420	128	380	115.8	-	
				Full	-	-	-	-	-	-	-	-	-	-	-	-	-	920	280.4	840	256	-	
1-1/4	31.8	159,800	72,485	1st	-	-	-	-	-	-	-	-	-	-	-	-	76	23.2	86	26.2	-		
				Mid	-	-	-	-	-	-	-	-	-	-	-	-	-	330	100.6	300	91.4	-	
				Full	-	-	-	-	-	-	-	-	-	-	-	-	-	740	225.6	670	204.2	-	
1-3/8	34.9	192,000	87,090	1st	-	-	-	-	-	-	-	-	-	-	-	-	68	20.7	76	23.2	-		
				Mid	-	-	-	-	-	-	-	-	-	-	-	-	-	280	85.3	250	76.2	-	
				Full	-	-	-	-	-	-	-	-	-	-	-	-	-	610	185.9	560	170.7	-	
1-1/2	38.1	228,000	103,420	1st	-	-	-	-	-	-	-	-	-	-	-	-	-	-	69	21	-		
				Mid	-	-	-	-	-	-	-	-	-	-	-	-	-	-	-	210	64	-	
				Full	-	-	-	-	-	-	-	-	-	-	-	-	-	-	-	470	143.3	-	

⁴ Values based on 6x37 MRC EIPS wire rope.

⁵ Values based on 7x19 galvanized aircraft cable.

Actual drum capacities 25-30% less, due to nonuniform winding. Wire rope tension will also affect drum capacity.

Wire rope should be selected based on the breaking strength to load rating ratio and application parameters. Industry standards suggest a 5:1 breaking strength to load rating ratio for lifting and a 3:1 ratio for pulling.

IMPORTANT:

It is the owner or operator's responsibility to determine the suitability of the equipment to its intended use. Study all applicable codes, manuals and regulations. Be sure to read the Owner's Manual supplied with the equipment before operating it.

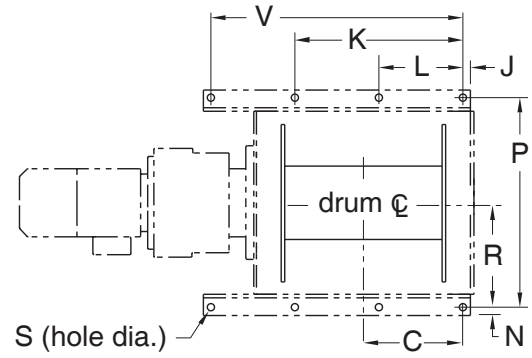
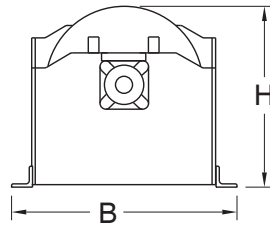
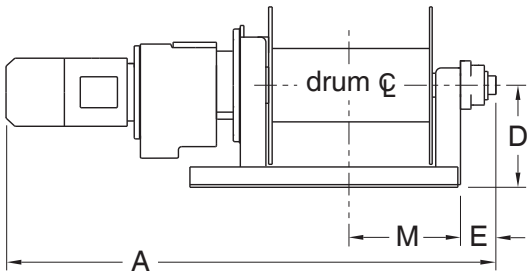


These products are not for lifting people, or things over people.

FLCL-0618

POWER WINCHES HEAVY DUTY

4HPFC Series



4HPF Series Winch Dimensions

Model	A		B		C		D		E		H		J		K	
	(in)	(mm)	(in)	(mm)	(in)	(mm)	(in)	(mm)	(in)	(mm)	(in)	(mm)	(in)	(mm)	(in)	(mm)
4HPF2M-2000-20	37.50	953	17	432	6.56	167	8	203	2.38	60	14.50	368	1	25	20	508
4HPF2M-2000-35	39	991	17	432	6.56	167	8	203	2.38	60	14.50	368	1	25	20	508
4HPF3M-3000-20	42	1067	17	432	6.56	167	8	203	2.38	60	14.50	368	1	25	20	508
4HPF3M-3000-35	42	1067	17	432	6.56	167	8	203	2.38	60	14.50	368	1	25	20	508
4HPF5M-5000-20	54.50	1384	26	660	9.63	245	12	305	5.13	130	21	533	1	25	30.50	775
4HPF5M-5000-35	54.50	1384	26	660	9.63	245	12	305	5.13	130	21	533	1	25	30.50	775
4HPF7M-7000-25	56	1422	26	660	9.63	245	12	305	5.13	130	21	533	1	25	30.50	775
4HPF7M-7000-40	59	1499	26	660	9.63	245	12	305	5.13	130	21	533	1	25	30.50	775
4HPF9M-9000-20	64.50	1638	31	787	12	305	14.50	368	6.25	159	25.50	648	1.25	32	26.50	673
4HPF9M-9000-40	69.50	1765	31	787	12	305	14.50	368	6.25	159	25.50	648	1.25	32	26.50	673
4HPF15M-15000-25	71.50	1816	31	787	12	305	14.50	368	6.25	159	25.50	648	1.25	32	26.50	673
4HPF15M-15000-35	74	1880	31	787	12	305	14.50	368	6.25	159	25.50	648	1.25	32	26.50	673
4HPF20M-20000-20	90	2286	43	1092	18.88	480	19.50	495	6.75	171	34.50	876	1.50	38	32	813
4HPF20M-20000-40	97	2464	43	1092	18.88	480	19.50	495	6.75	171	34.50	876	1.50	38	32	813
4HPF25M-25000-20	94	2388	43	1092	18.88	480	19.50	495	6.75	171	34.50	876	1.50	38	32	813
4HPF25M-25000-40	100	2540	43	1092	18.88	480	19.50	495	6.75	171	34.50	876	1.50	38	32	813

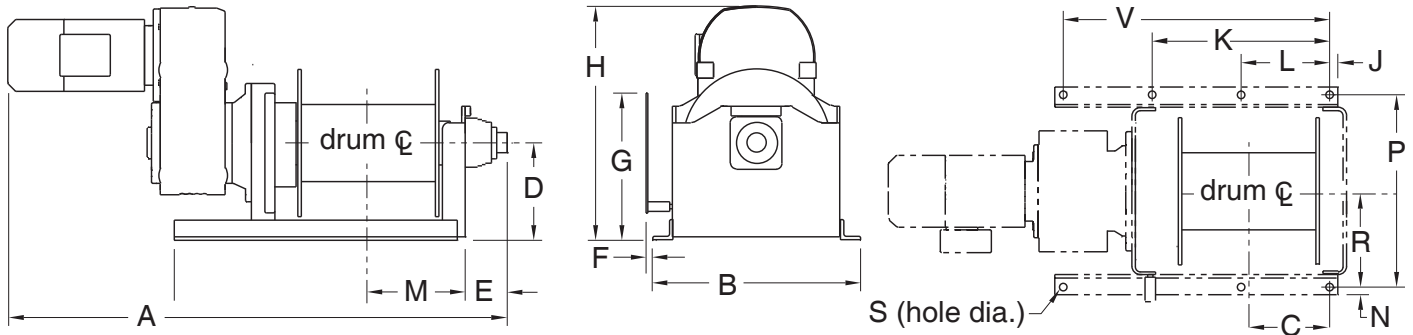
	L		M		N		P		R		S (hole diameter)		V		Ship Weight	
	(in)	(mm)	(in)	(mm)	(in)	(mm)	(in)	(mm)	(in)	(mm)	(in)	(mm)	(in)	(mm)	(lb)	(kg)
4HPF2M-2000-20	10	254	7.56	192	0.63	16	15.75	400	7.86	200	19/32	15	-	-	170	78
4HPF2M-2000-35	10	254	7.56	192	0.63	16	15.75	400	7.86	200	19/32	15	-	-	200	91
4HPF3M-3000-20	10	254	7.56	192	0.63	16	15.75	400	7.86	200	19/32	15	-	-	250	114
4HPF3M-3000-35	10	254	7.56	192	0.63	16	15.75	400	7.86	200	19/32	15	-	-	260	118
4HPF5M-5000-20	15.25	387	11.50	292	1	25	24	610	12	305	7/8	22	-	-	500	227
4HPF5M-5000-35	15.25	387	11.50	292	1	25	24	610	12	305	7/8	22	-	-	500	227
4HPF7M-7000-25	15.25	387	11.50	292	1	25	24	610	12	305	7/8	22	-	-	650	295
4HPF7M-7000-40	15.25	387	11.50	292	1	25	24	610	12	305	7/8	22	-	-	760	345
4HPF9M-9000-20	13.25	337	14.50	368	1.13	29	28.75	730	14.38	365	1 1/8	29	39.75	1010	1000	454
4HPF9M-9000-40	13.25	337	14.50	368	1.13	29	28.75	730	14.38	365	1 1/8	29	39.75	1010	1120	509
4HPF15M-15000-25	13.25	337	14.50	368	1.13	29	28.75	730	14.38	365	1 1/8	29	39.75	1010	1340	608
4HPF15M-15000-35	13.25	337	14.50	368	1.13	29	28.75	730	14.38	365	1 1/8	29	39.75	1010	1370	622
4HPF20M-20000-20	16	406	21	533	1.50	38	40	1016	20	508	1 3/8	35	48	1219	2400	1089
4HPF20M-20000-40	16	406	21	533	1.50	38	40	1016	20	508	1 3/8	35	48	1219	2620	1189
4HPF25M-25000-20	16	406	21	533	1.50	38	40	1016	20	508	1 3/8	35	48	1219	3190	1447
4HPF25M-25000-40	16	406	21	533	1.50	38	40	1016	20	508	1 3/8	35	48	1219	3440	1561

Dimensions are for reference only and subject to change without notice. Please contact Thern for exact dimensions.



HEAVY DUTY POWER WINCHES

4HPFC Series



4HPFC Series Winch Dimensions

Model	A		B		C		D		E		F		G		H		J	
	(in)	(mm)	(in)	(mm)	(in)	(mm)	(in)	(mm)	(in)	(mm)	(in)	(mm)	(in)	(mm)	(in)	(mm)	(in)	(mm)
4HPF2MC-2000-20	38.50	978	17	432	6	152	8	203	2.38	60	0.88	23	19.88	505	17	432	1	25
4HPF2MC-2000-35	40	1016	17	432	6	152	8	203	2.38	60	0.88	23	19.88	505	17	432	1	25
4HPF3MC-3000-20	41	1041	17	432	6	152	8	203	2.38	60	0.88	23	19.88	505	18.25	464	1	25
4HPF3MC-3000-35	43	1092	17	432	6	152	8	203	2.38	60	0.88	23	19.88	505	18.25	464	1	25
4HPF5MC-5000-20	55	1397	26	660	9.63	245	12	305	5.13	130	-	-	22.25	565	24.25	616	1	25
4HPF5MC-5000-35	55	1397	26	660	9.63	245	12	305	5.13	130	-	-	22.25	565	24.25	616	1	25
4HPF7MC-7000-25	56	1422	26	660	9.63	245	12	305	5.13	130	-	-	22.25	565	27	686	1	25
4HPF7MC-7000-40	58.50	1486	26	660	9.63	245	12	305	5.13	130	-	-	22.25	565	27	686	1	25
4HPF9MC-9000-20	66	1676	31	787	12	305	14.50	368	6.25	159	-	-	22	559	32	813	1.25	32
4HPF9MC-9000-40	71	1803	31	787	12	305	14.50	368	6.25	159	-	-	22	559	32	813	1.25	32
4HPF15MC-15000-25	72.50	1842	31	787	12	305	14.50	368	6.25	159	-	-	22	559	35	889	1.25	32
4HPF15MC-15000-35	74.50	1,892	31	787	12	305	14.50	368	6.25	159	-	-	22	559	35	889	1.25	32

	K		L		M		N		P		R		S (Hole Dia.)		V		Ship Weight	
	(in)	(mm)	(in)	(mm)	(in)	(mm)	(in)	(mm)	(in)	(mm)	(in)	(mm)	(in)	(mm)	(in)	(mm)	(lb)	(kg)
4HPF2MC-2000-20	20	508	10	254	7.56	192	0.63	16	15.75	400	7.88	200	1 ⁹ / ₃₂	15	-	-	270	123
4HPF2MC-2000-35	20	508	10	254	7.56	192	0.63	16	15.75	400	7.88	200	1 ⁹ / ₃₂	15	-	-	300	137
4HPF3MC-3000-20	20	508	10	254	7.56	192	0.63	16	15.75	400	7.88	200	1 ⁹ / ₃₂	15	-	-	280	128
4HPF3MC-3000-35	20	508	10	254	7.56	192	0.63	16	15.75	400	7.88	200	1 ⁹ / ₃₂	15	-	-	300	137
4HPF5MC-5000-20	30.50	775	15.25	387	11.50	292	1	25	24	610	12	305	7/ ₈	22	-	-	550	250
4HPF5MC-5000-35	30.50	775	15.25	387	11.50	292	1	25	24	610	12	305	7/ ₈	22	-	-	550	250
4HPF7MC-7000-25	30.50	775	15.25	387	11.50	292	1	25	24	610	12	305	7/ ₈	22	-	-	700	318
4HPF7MC-7000-40	30.50	775	15.25	387	11.50	292	1	25	24	610	12	305	7/ ₈	22	-	-	760	345
4HPF9MC-9000-20	26.50	673	13.25	337	14.50	368	1.13	29	28.75	730	14.38	365	1-1/ ₈	29	39.75	1010	1250	567
4HPF9MC-9000-40	26.50	673	13.25	337	14.50	368	1.13	29	28.75	730	14.38	365	1-1/ ₈	29	39.75	1010	1360	617
4HPF15MC-15000-25	26.50	673	13.25	337	14.50	368	1.13	29	28.75	730	14.38	365	1-1/ ₈	29	39.75	1010	1580	717
4HPF15MC-15000-35	26.50	673	13.25	337	14.50	368	1.13	29	28.75	730	14.38	365	1-1/ ₈	29	39.75	1010	1620	735

Dimensions are for reference only and subject to change without notice. Please contact Thern for exact dimensions.

IMPORTANT:

It is the owner or operator's responsibility to determine the suitability of the equipment to its intended use. Study all applicable codes, manuals and regulations. Be sure to read the Owner's Manual supplied with the equipment before operating it.



These products are not for lifting people, or things over people.

FLCL-0618