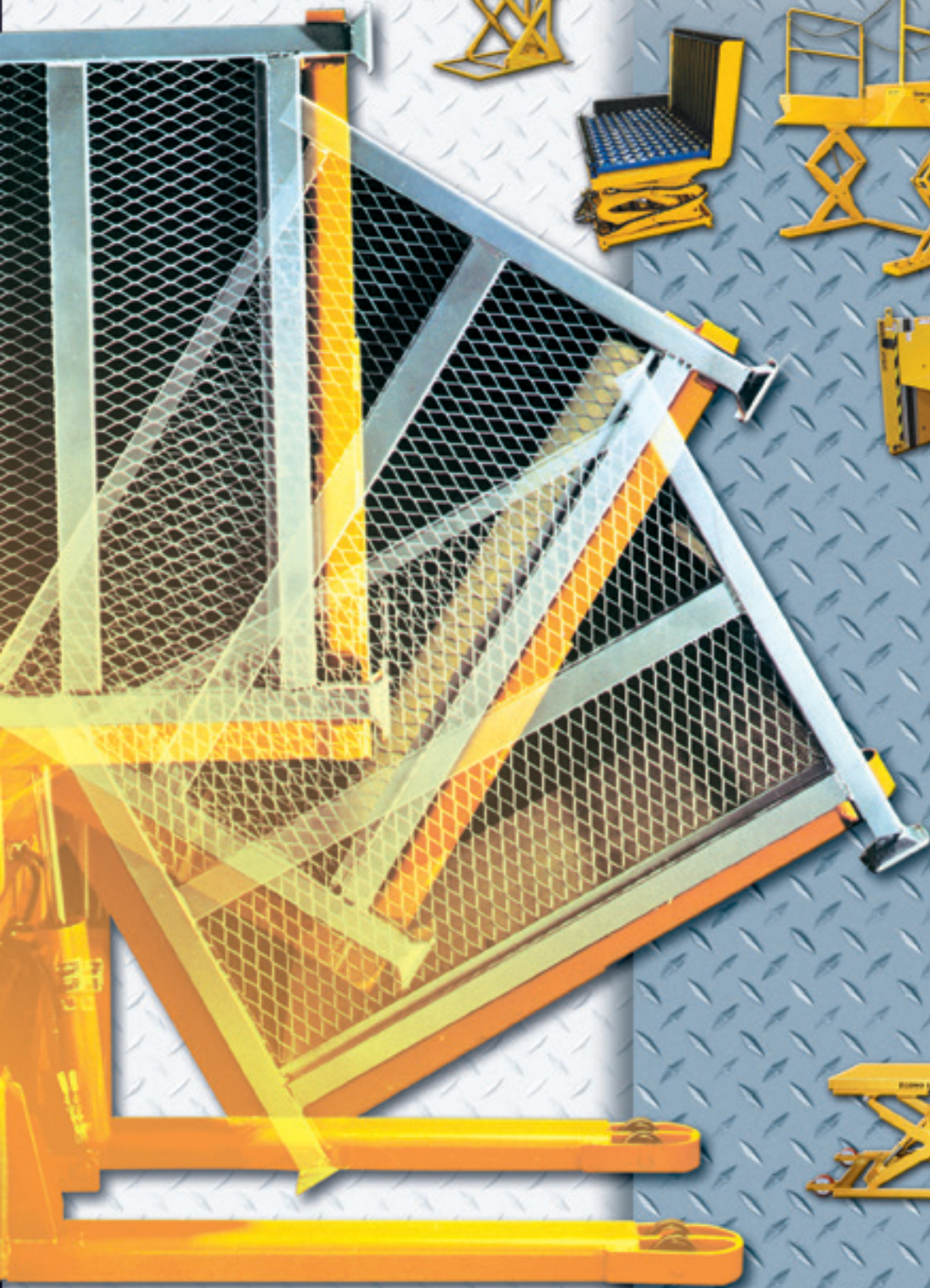


PRODUCT
CATALOGUE

ECONO LIFT

ERGONOMIC PRODUCTS

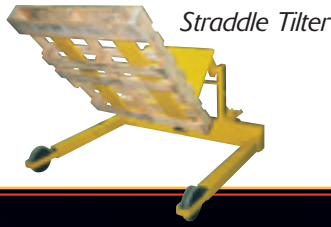


ECONO LIFT

TILTERS



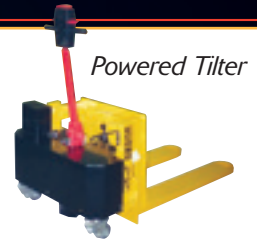
Tote Box Tilter



Straddle Tilter



Stationary Tilter



Powered Tilter

LIFT & TILTS



Light Duty Stationary Foot Pump Lift



Light Duty Stationary Lift

Light Duty Portable Foot Pump Lift

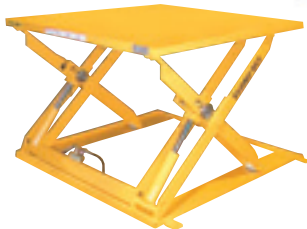
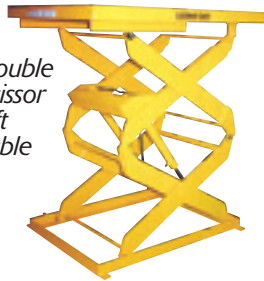


Light Duty D/C Portable Lift



Light Duty Double Scissor Lift

Double Scissor Lift Table



Low Profile Scissor Lift

Light Duty Portable Lift



Loading Dock



Heavy Duty Scissor Lift



Lift Table



Tandem Scissor Lift



Tilt Table



Portable Foot Pump Double Scissor Lift

Spring Table



Lift/Tilt Table



Low Profile Loading Dock



Mechanical Gravity Tilter

ERGONOMIC PRODUCTS

LIFT & TILTS

Hand Pump Skid Lift



Battery Skid Lifts



Self Propelled Portable Skid Lift



Self Propelled Lift Table



STACKERS

Battery Winch Stackers with Fixed Platform



Ergo Work Positioner



Straddle Work Positioner



DRIVE-ONS

Drive-on Platform Lift



Drive-on Lift Table



Drive-on Tilt Table



Drive-on Loading Dock



Drive-on High Point Tilter

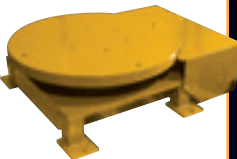


Drive-on Lift/Tilt Table

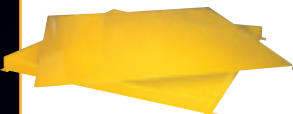


TURNTABLES

Powered Turntable



Manual Turntable



DUMPERS & UPENDERS

Stationary Upender



Stationary Dumper



Portable Drum Dumper



AIR BAGS

Lift Table



Tilt Table

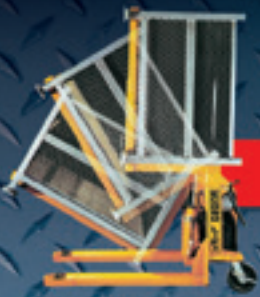


Lift/Tilt Table



Ergo Self-Leveller Table





TILTERS

Tote Box Tilters.....	1
Straddle Tilters.....	2
Powered Tilters.....	3
Stationary Tilters.....	4



LIFTS & TILTS

Light Duty Portable Lifts.....	5
Portable Foot Pump Double Scissor Lifts.....	6
Portable Foot Pump Lift Tables.....	6
Light Duty Stationary Lifts.....	7
Lift Tables.....	8
Heavy Duty Lift Tables.....	10
Tandem Scissor Lifts.....	11
Double Scissor Lift Tables.....	12
Mechanical Gravity Tilters.....	14
Tilt Tables.....	14
Lift/Tilt Tables.....	15
Self Propelled Lift Tables.....	16
Hand Pump/Battery Skid Lifts.....	17
Self Propelled Portable Skid Lifts.....	17
Loading Docks.....	18
Low Profile Scissor Lifts.....	19
Low Profile Loading Dock.....	19
Spring Tables.....	20





STACKERS

Battery Winch Stackers with Fixed Platform ...	20
Ergo Work Positioners	21



DRIVE-ONS

Drive-On Lift Tables	22
Drive-On Loading Docks	23
Drive-on Tilt Tables	24
Drive-on Lift/Tilt Tables.....	25
Drive-on High Point Lift Tables.....	26
Drive-on Platform Lifts	27



DUMPERS & UPENDERS

Stationary Dumpers.....	28
Portable Drum Dumpers	30
Stationary Upenders.....	31



TURNTABLES

Manual Turntables.....	32
Power Turntables.....	32

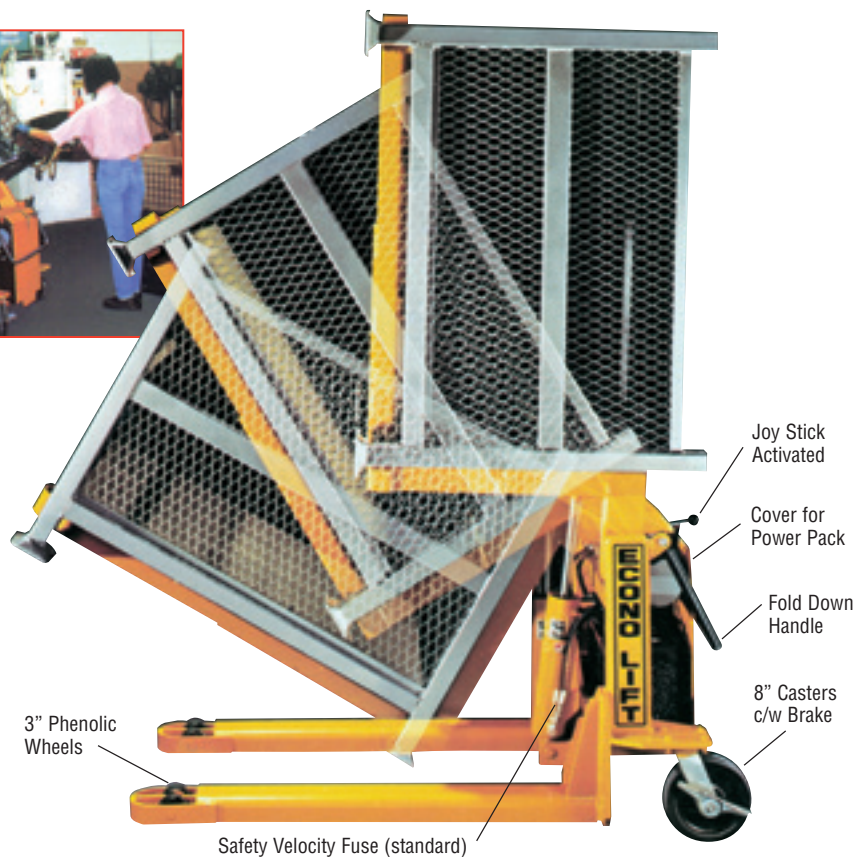


AIR BAGS

Tilt Tables	33
Lift Tables	34
Lift/Tilt Tables	35
Ergo Self-Leveller	36

TOTE BOX TILTERS

2,000/4,000/6,000 LBS



PATENT # 1254861

The portable tote box tilter is designed to make the lifting, handling and positioning of small parts containers easy on the worker's back.

Tilts hydraulically to 94°

Makes parts easily reachable

- Prevents back strain
- Increases productivity.

POWER SUPPLIES

D/C Battery

Joy Stick Controlled

Air/Hydraulic

Foot Pedal

(80 p.s.i., 20 c.f.m. min.)

hand held pendants optional

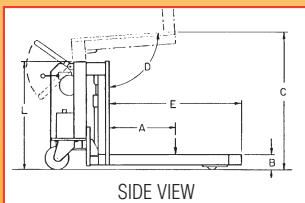
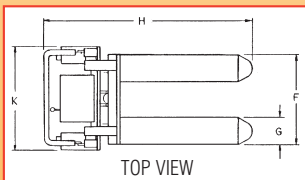
A/C 115/60/1

Hand Held Pendant

OPTIONS

- Forks - longer/shorter, higher / lower to 3", wider / narrower
- Tray attachment
- Height of backplate at 90° can be higher or lower

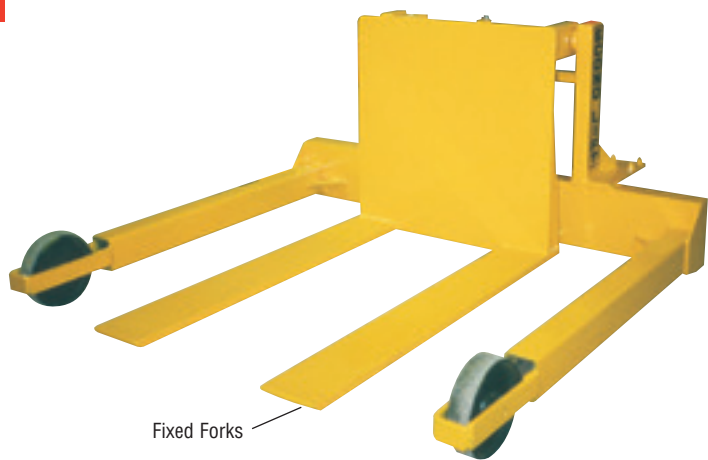
OPTIONS & SPECIAL APPLICATIONS



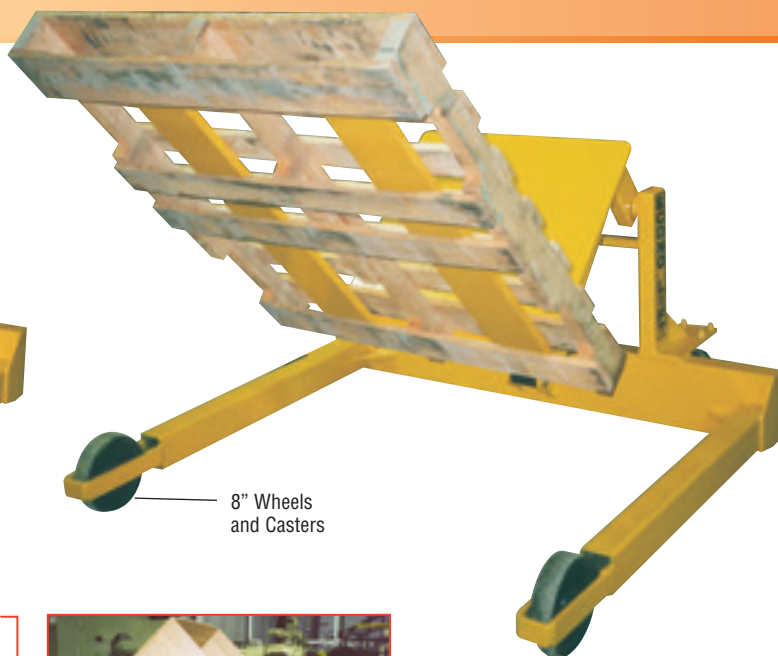
SPECIFICATIONS		TR20	TR40/TR60
Capacity		2,000	4,000 / 6,000
A	Load Centre	in. 17	21
B	Lowered Height	in. 3 1/2	3 1/2
C	Lift	in. 35 1/2	35 1/2
D	Tilt Angle	94°	94°
E	Fork Length	in. 34	42
F	Fork Width O.D.	in. 21	27
G	Fork Width	in. 6	7
H	Overall Length	in. 48	58
K	Width	in. 28	36
L	Height	in. 27 1/2	28
	Weight	lbs. 500	600
	Load Wheels	in. 3 x 1 1/2	3 x 1 1/2
	Caster	in. 6	8

STRADDLE TILTERS

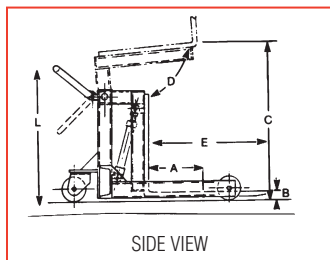
2,000/4,000/6,000 LBS



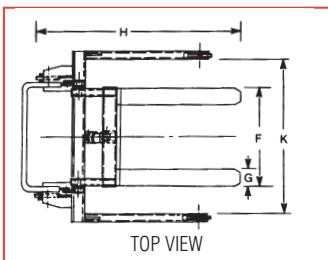
Fixed Forks



8" Wheels and Casters



SIDE VIEW



TOP VIEW



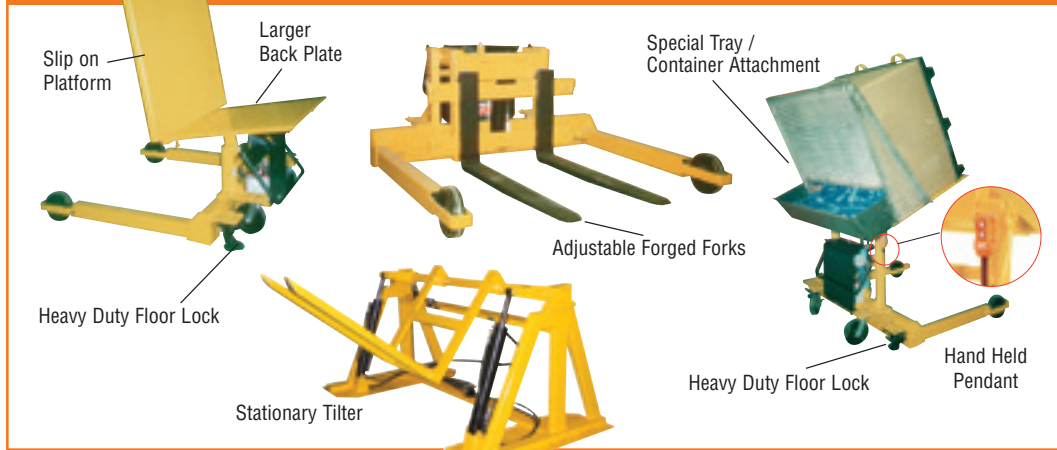
The portable tote box tilter is designed to make the lifting, handling and positioning of small parts containers easy on the worker's back.

Tilts hydraulically to 94°

Makes parts easily reachable

- Prevents back strain
- Increases productivity.

OPTIONS & SPECIAL APPLICATIONS



POWER SUPPLIES

D/C Battery

Joy Stick Controlled

Air/Hydraulic

Foot Pedal

(80 p.s.i., 20 c.f.m. min.)

hand held pendants optional

A/C 115/60/1

Hand Held Pendant



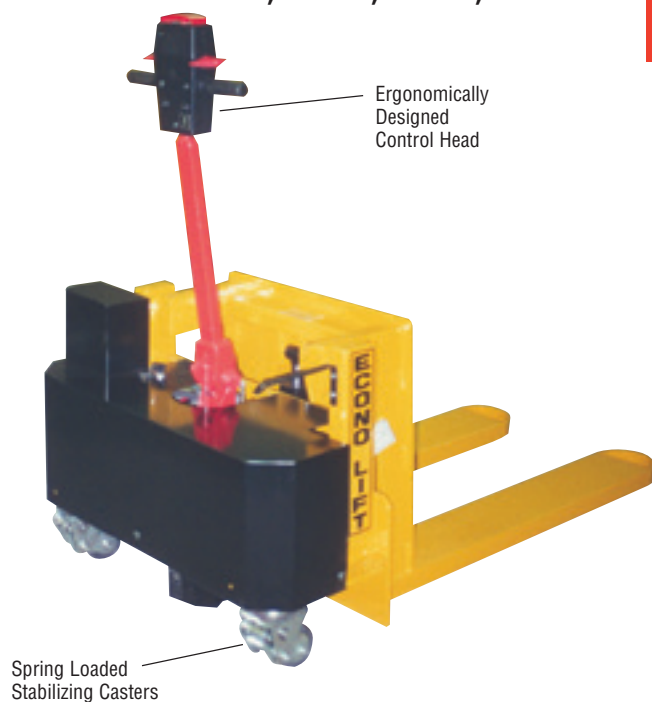
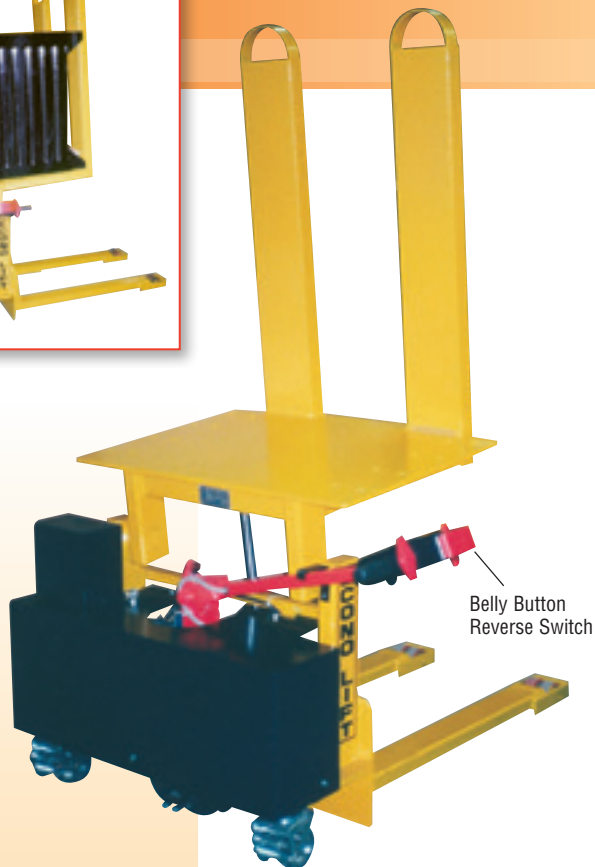
SPECIFICATIONS		TRS 20	TRS 40 / TRS 60
Capacity	lbs.	2,000	4,000 / 6,000
A	Load Centre	in. 21	20
B	Lowered Height	in. 2 1/2	2 1/2
C	Lift	in. 35 1/2	35 1/2
D	Tilt Angle	94°	94°
E	Fork Length	in. 42	42
F	Fork Width - Fixed	in. 27	27
G	Fork Width	in. 4	4
H	Overall Length	in. 62	62
K	Width	in. 50	50
L	Height	in. 27 1/2	27 1/2
	Weight	lbs. 650	700
	Load Wheels	in. 8	8
	Caster	in. 8	8

OPTIONS

- Forks - longer/shorter, higher/ lower to 2", wider / narrower
- Adjustable Forks - 6"-36"
- Slip on Platform
- Tray Attachments
- Larger Back Plates

POWERED TILTERS

2,000/4,000/6,000 LBS



TILT ANGLE

- 0-94 degrees

DRIVE UNIT/ELECTRICS

- 24 volt system
- Two speeds forward and reverse
- Solenoid controlled

CONTROL HEAD

- Butterfly switches for forward and reverse
- Push buttons for raising and lowering of tilt feature

BRAKES

- Engaged in upper and lower position of the steering column
- Mechanical brake system

STEERING

- 180 degree turning radius
- Handle held under bracket off to one side for closer access to container

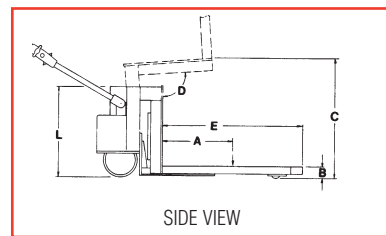
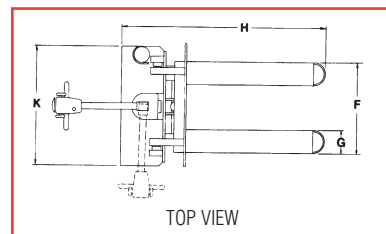
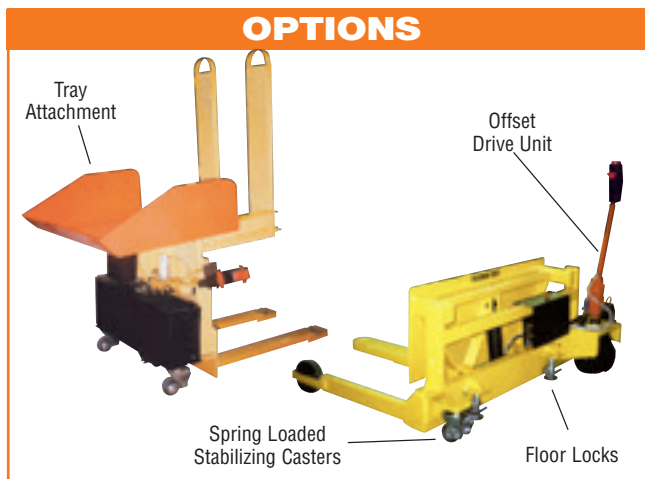
POWER SUPPLIES

- D/C Battery
- 24 Volt Push Button

OPTIONS

- Forks - longer/shorter, higher / lower to 3", wider / narrower
- Tray attachment to pick parts out from
- Height of backplate at 90° can be higher or lower

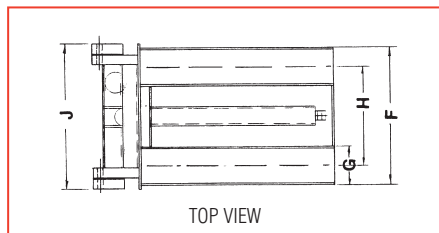
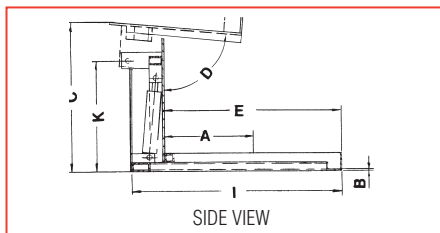
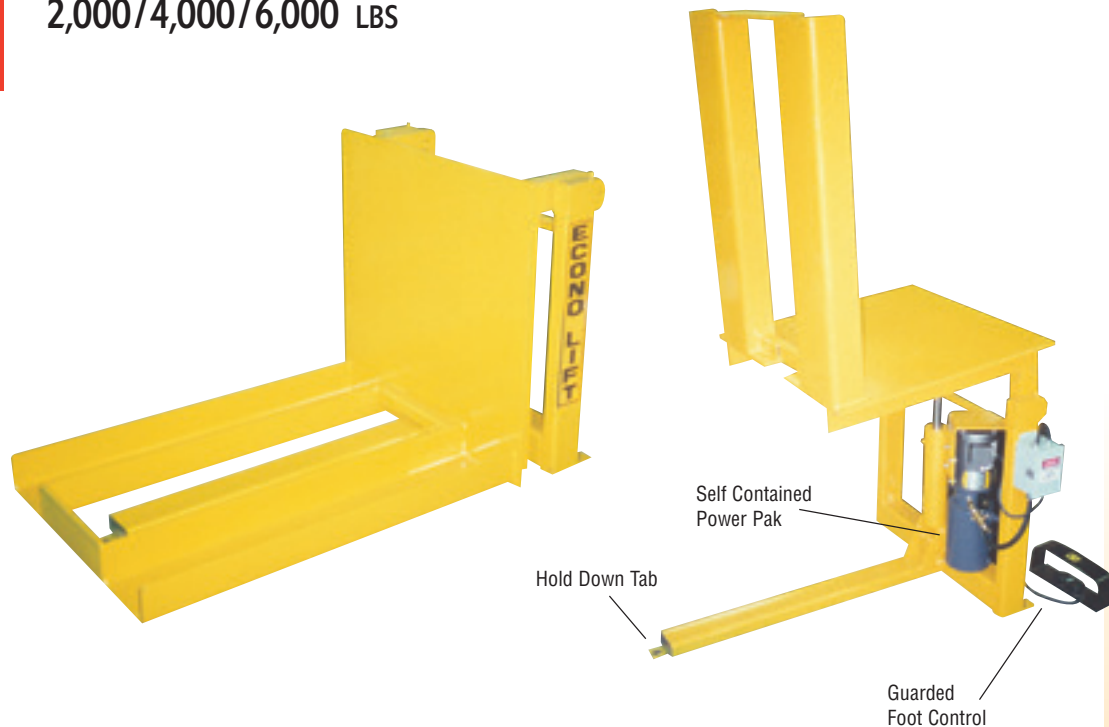
OPTIONS



SPECIFICATIONS		PTR 20	PTR 40/PTR 60
Capacity	lbs.	2,000	4,000 / 6,000
A Load Centre	in.	17	21
B Lowered Height	in.	3 1/2	3 1/2
C Lift	in.	35 1/2	35 1/2
D Tilt Angle		94°	94°
E Fork Length	in.	34	42
F Fork Width	in.	21	27
G Fork Width	in.	6	7
H Overall Length	in.	54	62
K Width	in.	35	35
L Height	in.	27 1/2	28
Weight	lbs.	700	800
Load Wheels	in.	3 x 1 1/2	3 x 1 1/2
Caster	in.	5	5
Rubber Drive Tire	in.	10 1/2 x 3 1/2	10 1/2 x 3 1/2

STATIONARY TILTERS

2,000/4,000/6,000 LBS



TILT ANGLE

- 0-85°

SAFETY

- Velocity fuse on each cylinder to eliminate tilter from collapsing due to hose failure
- Hold down tabs (3 points)

LOWERED HEIGHT OF TILTER

- Floor level

POWER SUPPLIES

Air/Hydraulic
 Foot Pedal
 (80 p.s.i., 20 c.f.m. min.)
(hand held pendant optional)

A/C 115/60/1

Hand Held or Foot Control (Standard)

OPTIONS

- Tilt Angle increases or reduces

***NOTE:** Must be bolted into place before using

SPECIFICATIONS		STR 20	STR 40/STR 60
Capacity	lbs.	2,000	4,000 / 6,000
A	Load Centre	in. 20	20
B	Lowered Height	in. 5/16 c/w beveled edge	3/8" c/w beveled edge
C	Lift	in. 32	32
D	Tilt Angle	85°	85°
E	Fork Length	in. 40	40
F	Fork Width	in. 29	29
G	Fork Width	in. 8	8
H	Fork Center	in. 20 1/2	20 1/2
I	Overall Length	in. 47	47
J	Width	in. 30	30
K	Height	in. 25	25
	Weight	lbs. 450	650

LIGHT DUTY PORTABLE LIFTS

330/660/770/1,100/1,650 LBS

CAPACITY

- 330/660/770/1,100/1,650 lbs.

PLATFORM SIZES

- 24" wide x 36" long
- 24" wide x 48" long

BASE SIZES

- 17 1/2" wide x 36" long
- 17 1/2" wide x 48" long

TRAVEL

- 24" & 36"

LOWERED HEIGHT

- 9 1/4"
- ELF Lifts - see chart for above measurements

SAFETY

- Velocity fuse on all cylinders
- Upper limit by pass on ELF lifts

POWER SUPPLIES

Foot Pump - manually powers lifts, foot release for controlled lowering.

Hand release on ELF lifts

D/C Battery

Hand Held Pendant c/w built-in 12 volt 6 amp charger

MAINTENANCE

- Hinged top for easy access to power unit and cylinders
- Self lubricated bushings on all pivot points

OPTIONS

- Oversized platforms
- Rotating tops
- Bellow safety skirting

ELF 770 DOUBLE SCISSOR LIFT



ELF 330/660/1100/1650

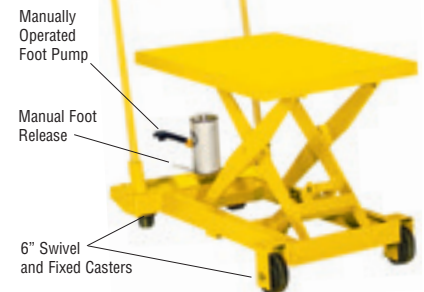


ELF PORTABLE FOOT PUMP LIFTS MANUALLY POWERED SCISSOR LIFTS *Economical Portable Lifts*

MODEL NO.	CAPACITY (lbs.)	PLATFORM SIZE (W X L) (IN.)	LOW HT (IN.)	RAISED HT (IN.)	HANDLE HT (IN.)	WHEEL (DIAM.)	OVERALL SIZE (W X L) (IN.)	STROKES TO MAX. HT
ELF330	330	17.75 X 27.5	8.75	29.5	38	4	17.75 X 36	26
ELF660	660	19.75 X 32	11	35.5	39	5	19.75 X 42	25
ELF770	770	19.75 X 32	11.25	51.5	39	5	19.75 X 42	52
ELF1100	1100	19.75 X 35.75	13.5	35.5	38	5	19.75 X 42	38
ELF1650	1650	20 X 39.25	16.5	40	39	6	20 X 53	52

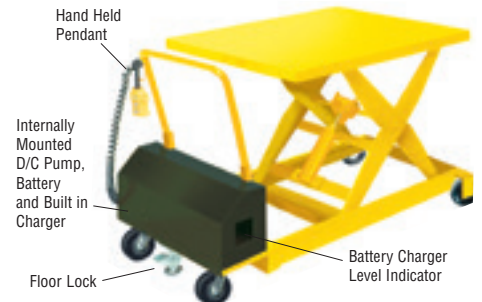
PORTABLE FOOT PUMP - MANUALLY POWERED SCISSOR LIFTS

MODEL NO.	CAPACITY (lbs.)	STD. PLAT. BASE (W X L) (IN.)	OVERSIZED PLATFORMS (UP TO) (IN.)	LOW HT (IN.)	TRAVEL (IN.)	TOTAL HT (IN.)	OVERALL DIAM. (W X L X H) (IN.)	STROKES TO MAX HT	SHIP WEIGHT (LBS)
24" TRAVEL									
PF24-10	1,000	24 x 36	40 x 48	9 1/4	24	33	25 x 51 x 36	1"/stroke	265
PF24-15	1,500	24 x 36	40 x 48	9 1/4	24	33	25 x 51 x 36	1"/stroke	280
36" TRAVEL									
PF36-10	1,000	24 x 48	40 x 60	9 1/4	36	45	25 x 63 x 45	1"/stroke	295
PF36-15	1,500	24 x 48	40 x 60	9 1/4	36	45	25 x 63 x 45	1"/stroke	315



PORTABLE D/C BATTERY POWER - HAND CONTROL SCISSOR LIFTS

MODEL NO.	CAPACITY (lbs.)	STD. PLAT. BASE (W X L) (IN.)	OVERSIZED PLATFORMS (UP TO) (IN.)	LOW HT (IN.)	TRAVEL (IN.)	TOTAL HT (IN.)	OVERALL DIAM. (W X L X H) (IN.)	SPEED TO MAX HT	SHIP WEIGHT (LBS)
24" TRAVEL									
PB24-10	1,000	24 x 36	40 x 48	9 1/4	24	33	25 x 51 x 36	8 seconds	325
PB24-15	1,500	24 x 36	40 x 48	9 1/4	24	33	25 x 51 x 36	14 seconds	340
36" TRAVEL									
PB36-10	1,000	24 x 48	40 x 60	9 1/4	36	45	25 x 63 x 45	12 seconds	355
PB36-15	1,500	24 x 48	40 x 60	9 1/4	36	45	25 x 63 x 45	18 seconds	375

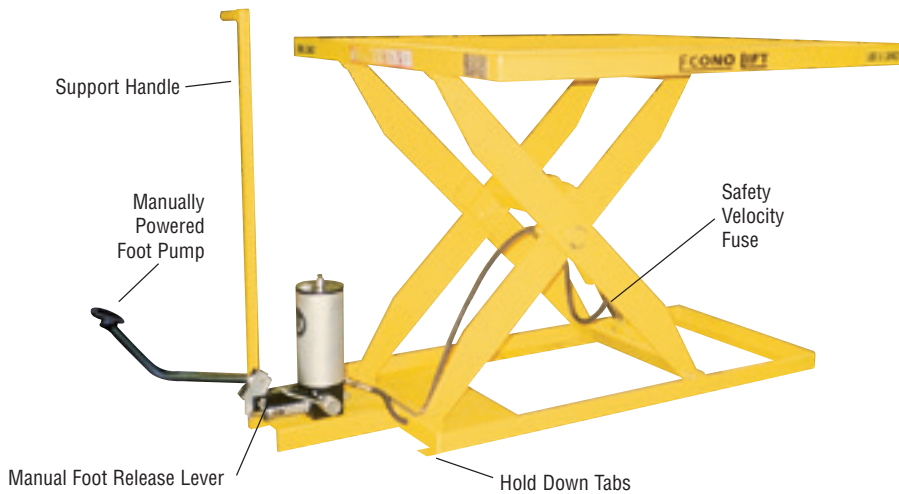


1,000/1,500 LBS

LIGHT DUTY STATIONARY LIFTS

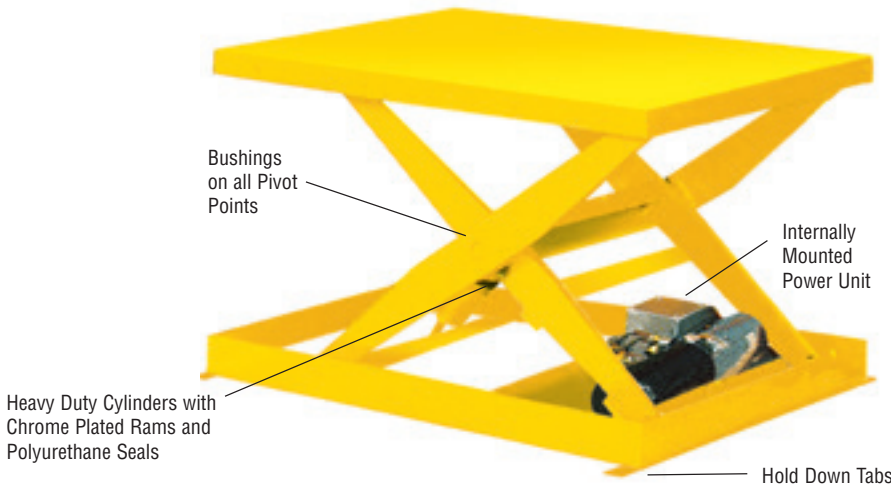
1,000/1,500 LBS

LIFT & TILTS



STATIONARY FOOT PUMP - MANUALLY POWERED SCISSOR LIFTS

MODEL NO.	CAPACITY (LBS.)	STD. PLAT. BASE (W X L) (IN.)	OVERSIZED PLATFORMS (UP TO) (IN.)	LOW HT (IN.)	TRAVEL (IN.)	TOTAL HT (IN.)	STROKES TO MAX HT	SHIP WEIGHT (LBS)
24" TRAVEL								
LDF24-10	1,000	24 x 36	48 x 60	5 1/2	24	29 1/2	31	290
LDF24-15	1,500	24 x 36	48 x 60	5 1/2	24	29 1/2	49	295
36" TRAVEL								
LDF36-10	1,000	24 x 48	48 x 72	5 1/2	36	41 1/2	40	340
LDF36-15	1,500	24 x 48	48 x 72	5 1/2	36	41 1/2	62	345



STATIONARY A/C 110 POWER - HAND CONTROL SCISSOR LIFTS

MODEL NO.	CAPACITY (LBS.)	STD. PLAT. BASE (W X L) (IN.)	OVERSIZED PLATFORMS (UP TO) (IN.)	LOW HT (IN.)	TRAVEL (IN.)	TOTAL HT (IN.)	RAISING TIME	SHIP WEIGHT (LBS)
24" TRAVEL								
LDL24-10	1,000	24 x 36	48 x 60	5 1/2	24	29 1/2	12 sec.	290
LDL24-15	1,500	24 x 36	48 x 60	5 1/2	24	29 1/2	20 sec.	295
36" TRAVEL								
LDL36-10	1,000	24 x 48	48 x 72	5 1/2	36	41 1/2	20 sec.	325
LDL36-15	1,500	24 x 48	48 x 72	5 1/2	36	41 1/2	28 sec.	330

CAPACITY

- 1,000/1,500 lbs.

PLATFORM SIZES

- 24" wide x 36" long
- 24" wide x 48" long

BASE SIZES

- 24" wide x 36" long
- 24" wide x 48" long

TRAVEL

- 24" & 36"

LOWERED HEIGHT

- 5 1/2"

SAFETY

- Velocity fuse on all cylinders

POWER SUPPLIES

Foot Pump - manually powers lifts, foot release for controlled lowering

A/C 110 volt

Hand Control (standard)

Foot Control (optional)

Internally Mounted

A/C 460/575/3/60 volt (opt.)

Externally Mounted

Air/Hydraulic

Foot operated (standard)

Hand operated (optional)

MAINTENANCE

- Hinged top for easy access to power unit and cylinders
- Self lubricated bushings on all pivot points

OPTIONS

- Oversized platforms
- Rotating tops
 - spring detents
- Bellow safety skirting
- Semi-portable
- Portable

LIFT TABLES

2,000 / 3,000 / 4,000 / 5,000 / 6,000 LBS



CAPACITY

- 2,000/3,000/4,000/
5,000/6,000 lbs.

PLATFORM SIZES

- 24" wide x 36" long
to 72" wide x 96" long

BASE SIZES

- Standard 24", 36", 48" wide
x 36", 48", 60", 72" long

TRAVEL

- 24", 36", 42", 48" vertical travel

LOWERED HEIGHT

- 9" (special heights available)

SAFETY

- Velocity fuse is standard on each cylinder
- Heavy duty hydraulic cylinders - chrome plated rod with polyurethane seals

POWER SUPPLIES

A/C 110/1/60 volt (standard)

Hand or foot operated

A/C 460/575/3/60 volt (opt.)

Hand or foot operated

Air/Hydraulic

Foot operated (standard)

Hand operated (optional)

- Internally mounted
- Easily accessible for maintenance or repair
- Motors - Single phase 1 h.p. and three phase 1-1/2 h.p. - hand or foot operated standard

MAINTENANCE

- Hinged table top provides easy access to power unit and cylinders
- Self lubricated bronze bushings on all wear points

OPTIONS

- Oversized platforms
- Beveled edges for pit mounting
- Eye-bolts for pit mounting
- Rotating tops
 - spring detents
 - manual detents
- Roller conveyor, Ball transfer tops
- Bellow safety skirting
- Safety tape switch
- Safety touch bars
- Semi-portable
- Portable
- Tandem lifts
- Double scissor lifts

SPECIFICATIONS

STANDARD 24" WIDE BASE LIFT TABLES

MODEL NO.	CAPACITY (LBS.)	STD. PLAT. BASE (W x L) (IN.)	OVERSIZED PLATFORMS (UP TO) (IN.)	LOW HT (IN.)	RAISED HT (IN.)	UP SPEED (SEC.)	MOTOR (H.P.)	VOLT/HP/HZ	SHIP WEIGHT (LBS)	
24" TRAVEL - 24" WIDE x 36" LONG PLATFORM/BASE										
SL24-20	2,000	24 x 36	48 x 60	9	33	15	1	115/1/60	450	
SL24-40	4,000	24 x 36	48 x 60	9	33	21	1	115/1/60	470	
SL24-60	6,000	24 x 36	48 x 60	9	33	32	1	115/1/60	520	
36" TRAVEL - 24" WIDE x 48" LONG PLATFORM/BASE										
SL36-20	2,000	24 x 48	48 x 72	9	45	20	1	115/1/60	600	
SL36-30	3,000	24 x 48	48 x 72	9	45	30	1	115/1/60	620	
SL36-40	4,000	24 x 48	48 x 72	9	45	37	1	115/1/60	650	
SL36-50	5,000	24 x 48	48 x 72	9	45	40	1	208, 220, 460, 575/3/60	680	
SL36-60	6,000	24 x 48	48 x 72	9	45	48	1	208, 220, 460, 575/3/60	700	
42" TRAVEL - 24" WIDE x 60" LONG PLATFORM/BASE										
SL42-20	2,000	24 x 60	48 x 84	9	51	25	1	115/1/60	625	
SL42-40	4,000	24 x 60	48 x 84	9	51	47	1	115/1/60	800	
SL42-60	6,000	24 x 60	48 x 84	9	51	50	1	208, 220, 460, 575/3/60	950	
48" TRAVEL - 24" WIDE x 72" LONG PLATFORM/BASE										
SL48-20	2,000	24 x 72	48 x 96	9	57	32	1	115/1/60	800	
SL48-40	4,000	24 x 72	48 x 96	9	57	50	1	115/1/60	950	
SL48-60	6,000	24 x 72	48 x 96	9	57	56	1	208, 220, 460, 575/3/60	1,200	

SPECIFICATIONS - wide based units; for wider platform applications and greater stability.

36" WIDE BASE LIFT TABLES

MODEL NO.	CAPACITY (LBS.)	STD. PLAT. BASE (W x L) (IN.)	OVERSIZED PLATFORMS (UP TO) (IN.)	LOW HT (IN.)	RAISED HT (IN.)	UP SPEED (SEC.)	MOTOR (H.P.)	VOLT/HP/HZ	SHIP WEIGHT (LBS)	
24" TRAVEL - 36" WIDE x 36" LONG PLATFORM/BASE										
3SL24-20	2,000	36 x 36	60 x 60	9	33	15	1	115/1/60	480	
3SL24-40	4,000	36 x 36	60 x 60	9	33	21	1	115/1/60	520	
3SL24-60	6,000	36 x 36	60 x 60	9	33	32	1	115/1/60	550	
36" TRAVEL - 36" WIDE x 48" LONG PLATFORM/BASE										
3SL36-20	2,000	36 x 48	60 x 72	9	45	20	1	115/1/60	750	
3SL36-40	4,000	36 x 48	60 x 72	9	45	38	1	115/1/60	790	
3SL36-60	6,000	36 x 48	60 x 72	9	45	48	1	208, 220, 460, 575/3/60	850	
42" TRAVEL - 36" WIDE x 60" LONG PLATFORM/BASE										
3SL42-20	2,000	36 x 60	60 x 84	9	51	25	1	115/1/60	830	
3SL42-40	4,000	36 x 60	60 x 84	9	51	47	1	115/1/60	890	
3SL42-60	6,000	36 x 60	60 x 84	9	51	50	1	208, 220, 460, 575/3/60	950	
48" TRAVEL - 36" WIDE x 72" LONG PLATFORM/BASE										
3SL48-20	2,000	36 x 72	60 x 96	9	57	32	1	115/1/60	1,100	
3SL48-40	4,000	36 x 72	60 x 96	9	57	50	1	115/1/60	1,200	
3SL48-60	6,000	36 x 72	60 x 96	9	57	56	1	208, 220, 460, 575/3/60	1,280	

48" WIDE BASE LIFT TABLES

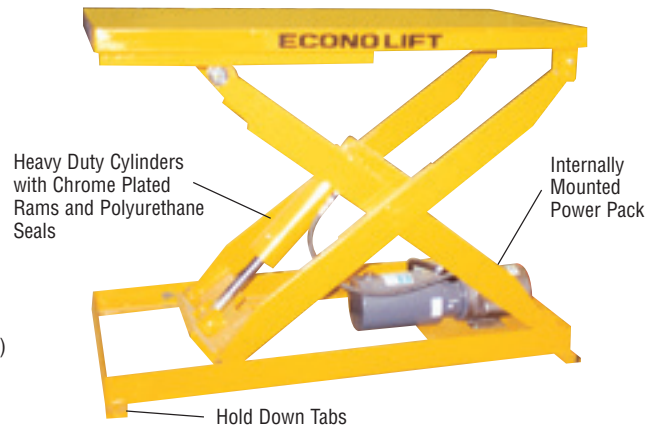
MODEL NO.	CAPACITY (LBS.)	STD. PLAT. BASE (W x L) (IN.)	OVERSIZED PLATFORMS (UP TO) (IN.)	LOW HT (IN.)	RAISED HT (IN.)	UP SPEED (SEC.)	MOTOR (H.P.)	VOLT/HP/HZ	SHIP WEIGHT (LBS)	
24" TRAVEL - 48" WIDE x 36" LONG PLATFORM/BASE										
4SL24-20	2,000	48 x 36	72 x 60	9	33	15	1	115/1/60	700	
4SL24-40	4,000	48 x 36	72 x 60	9	33	24	1	115/1/60	740	
4SL24-60	6,000	48 x 36	72 x 60	9	33	34	1	115/1/60	780	
36" TRAVEL - 48" WIDE x 48" LONG PLATFORM/BASE										
4SL36-20	2,000	48 x 48	72 x 72	9	45	20	1	115/1/60	840	
4SL36-40	4,000	48 x 48	72 x 72	9	45	38	1	115/1/60	890	
4SL36-60	6,000	48 x 48	72 x 72	9	45	48	1	208, 220, 460, 575/3/60	950	
42" TRAVEL - 48" WIDE x 60" LONG PLATFORM/BASE										
4SL42-20	2,000	48 x 60	72 x 84	9	51	26	1	115/1/60	890	
4SL42-40	4,000	48 x 60	72 x 84	9	51	42	1	115/1/60	950	
4SL42-60	6,000	48 x 60	72 x 84	9	51	50	1	208, 220, 460, 575/3/60	1,000	
48" TRAVEL - 48" WIDE x 72" LONG PLATFORM/BASE										
4SL48-20	2,000	48 x 72	72 x 96	9	57	32	1	115/1/60	950	
4SL48-40	4,000	48 x 72	72 x 96	9	57	50	1	115/1/60	1,100	
4SL48-60	6,000	48 x 72	72 x 96	9	57	56	1	208, 220, 460, 575/3/60	1,200	

See page 8 & 9 for options available.

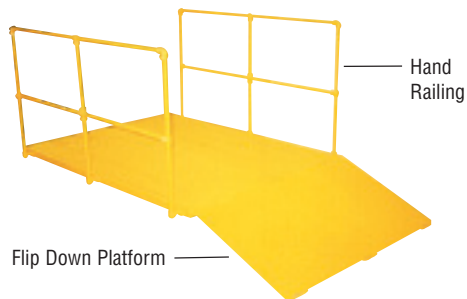
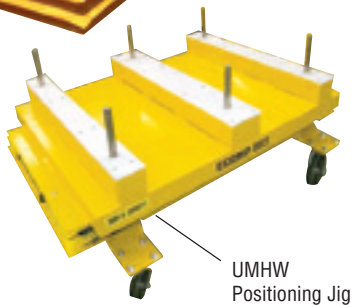
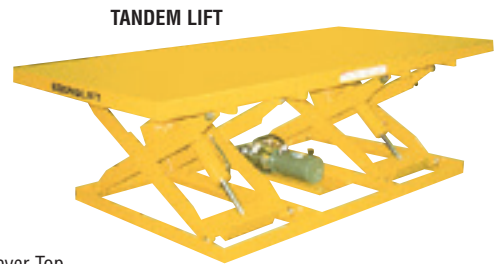
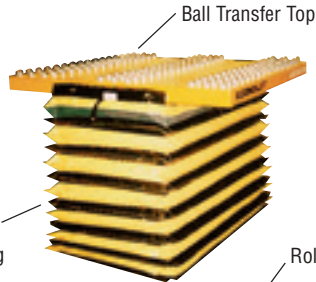
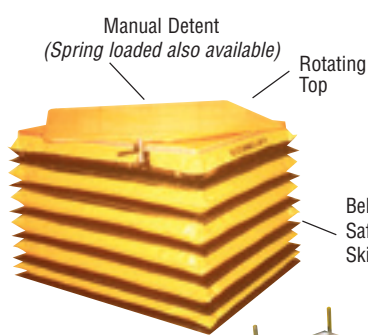
LIFT TABLES

2,000 / 3,000 / 4,000 / 5,000 / 6,000 LBS

LIFT & TILTS



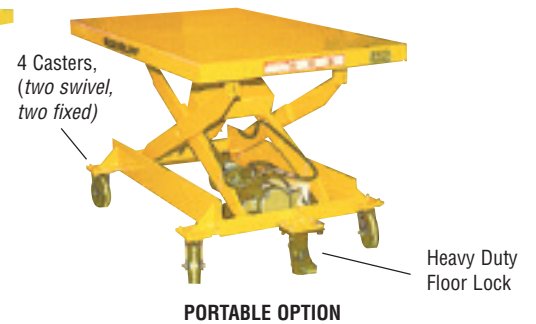
OPTIONS AND SPECIAL APPLICATIONS



LOADING DOCK APPLICATION



SEMI-PORTABLE OPTION



PORTABLE OPTION

LIFT TABLES

2,000 / 3,000 / 4,000 / 5,000 / 6,000 LBS

OPTIONS & SPECIAL APPLICATIONS

LIFT & TILTS

MAN LIFTS



SEMI PORTABLE

DOUBLE SCISSOR

PORTABLE LIFT/WORK PLATFORM

Step up

AGV SYSTEMS & POWER DRIVEN LIFTS



SCISSOR LIFT

POWER DRIVE SCISSOR LIFT

SELF-PROPELLED LIFT TABLE

OPTIONS & SPECIAL APPLICATIONS



PORTABLE HYDRAULIC SCISSOR LIFT with Ball Screw TILT and SLIDE

PORTABLE SCISSOR LIFT Steel-It epoxy finish Weigh Scale mounted on top

SCISSOR LIFT with POWERED TURNTABLE

SPECIAL SCISSOR LIFT with FLIP PLATES & POWERED BRAKES

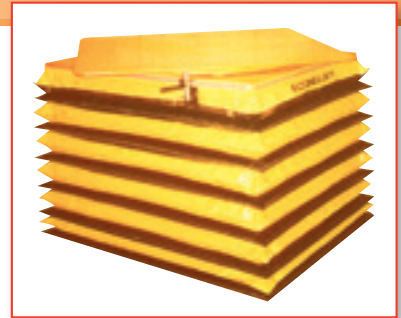
SCISSOR LIFT with POWERED CONVEYOR

STAINLESS STEEL SCISSOR LIFT

HEAVY DUTY LIFT TABLES

8,000/10,000/12,000 LBS

LIFT & TILTS



- CAPACITY**
 - 8,000 / 10,000 / 12,000 lbs.
- PLATFORM SIZES**
 - 36" wide x 48" long to 72" wide x 96" long
- BASE SIZES**
 - Standard 36", 48" wide x 48", 60", 72" long
- TRAVEL**
 - 34", 42", 48" vertical travel
- LOWERED HEIGHT**
 - 12"
- SAFETY**
 - Velocity fuse is standard on each cylinder
 - Heavy duty hydraulic cylinders - chrome plated rod with polyurethane seals

SPECIFICATIONS - wide based units; for wider platform applications and greater stability.
36" WIDE BASE LIFT TABLES

MODEL NO.	CAPACITY (LBS.)	STD. PLAT./BASE (W x L) (IN.)	OVERSIZED PLATFORMS (UP TO) (IN.)	LOW HT (IN.)	RAISED HT (IN.)	UP SPEED (SEC.)	MOTOR (H.P.)	VOLT/HP/HZ	SHIP WEIGHT (LBS)
34" TRAVEL - 36" WIDE x 48" LONG PLATFORM/BASE									
3HD34-80	8,000	36 x 48	60 x 72	12	46	25	3	208, 220, 460, 575/3/60	1,600
3HD34-100	10,000	36 x 48	60 x 72	12	46	38	3	208, 220, 460, 575/3/60	1,700
3HD34-120	12,000	36 x 48	60 x 72	12	46	45	3	208, 220, 460, 575/3/60	1,750
42" TRAVEL - 36" WIDE x 60" LONG PLATFORM/BASE									
3HD42-80	8,000	36 x 60	60 x 84	12	54	25	3	208, 220, 460, 575/3/60	1,800
3HD42-100	10,000	36 x 60	60 x 84	12	54	42	3	208, 220, 460, 575/3/60	1,900
3HD42-120	12,000	36 x 60	60 x 84	12	54	49	3	208, 220, 460, 575/3/60	1,950
48" TRAVEL - 36" WIDE x 72" LONG PLATFORM/BASE									
3HD48-80	8,000	36 x 72	60 x 96	12	60	32	3	208, 220, 460, 575/3/60	2,000
3HD48-100	10,000	36 x 72	60 x 96	12	60	43	3	208, 220, 460, 575/3/60	2,100
3HD48-120	12,000	36 x 72	60 x 96	12	60	50	3	208, 220, 460, 575/3/60	2,150

48" WIDE BASE LIFT TABLES

MODEL NO.	CAPACITY (LBS.)	STD. PLAT./BASE (W x L) (IN.)	OVERSIZED PLATFORMS (UP TO) (IN.)	LOW HT (IN.)	RAISED HT (IN.)	UP SPEED (SEC.)	MOTOR (H.P.)	VOLT/HP/HZ	SHIP WEIGHT (LBS)
34" TRAVEL - 48" WIDE x 48" LONG PLATFORM/BASE									
4HD34-80	8,000	48 x 48	72 x 72	12	46	25	3	208, 220, 460, 575/3/60	1,800
4HD34-100	10,000	48 x 48	72 x 72	12	46	38	3	208, 220, 460, 575/3/60	1,900
4HD34-120	12,000	48 x 48	72 x 72	12	46	45	3	208, 220, 460, 575/3/60	1,950
42" TRAVEL - 48" WIDE x 60" LONG PLATFORM/BASE									
4HD42-80	8,000	48 x 60	72 x 84	12	54	26	3	208, 220, 460, 575/3/60	2,000
4HD42-100	10,000	48 x 60	72 x 84	12	54	42	3	208, 220, 460, 575/3/60	2,100
4HD42-120	12,000	48 x 60	72 x 84	12	54	49	3	208, 220, 460, 575/3/60	2,150
48" TRAVEL - 48" WIDE x 72" LONG PLATFORM/BASE									
4HD48-80	8,000	48 x 72	72 x 96	12	60	32	3	208, 220, 460, 575/3/60	2,200
4HD48-100	10,000	48 x 72	72 x 96	12	60	43	3	208, 220, 460, 575/3/60	2,300
4HD48-120	12,000	48 x 72	72 x 96	12	60	50	3	208, 220, 460, 575/3/60	2,350

- POWER SUPPLIES**
 - A/C 220-460/3/60 volt & 575/3/60 volt
 - Hand or foot operated (standard)
- Easily accessible for maintenance or repair
- Motors - Three phase 3 h.p. hand or foot operated (standard)
- MAINTENANCE**
 - Hinged table top provides easy access to power unit and cylinders
 - Self lubricated bronze bushings on all wear points
- OPTIONS**
 - Oversized platforms
 - Beveled edges for pit mounting
 - Eye-bolts for pit mounting
 - Rotating tops
 - spring detents
 - manual detents
 - Conveyor tops, Ball transfer tops
 - Bellow safety skirting
 - Safety tape switch
 - Semi-portable
 - Portable
 - Fork pockets

TANDEM SCISSOR LIFTS

1,000 / 2,000 / 4,000 / 6,000 / 8,000 / 10,000 / 12,000 LBS

CAPACITY

- 1,000/2,000/4,000/6,000/8,000/10,000/12,000 lbs.

PLATFORM SIZES

- 24" wide x 96" long to 48" wide x 240" long

TRAVEL

- 36", 48", 60"

LOWERED HEIGHT

- 9" & 12"

SAFETY

- Velocity fuse is standard on each cylinder
- Safety maintenance stop included with each lift

POWER SUPPLIES

A/C 110/1/60 volt

Hand or foot operated

A/C 460/575/3/60 volt

Hand or foot operated

Air/Hydraulic

Foot operated

Hand operated available

• Internally mounted

• Easily accessible for maintenance or repair

• Motors - Single phase 1 h.p. and three phase 1-1/2 h.p. -

hand or foot operated standard

MAINTENANCE

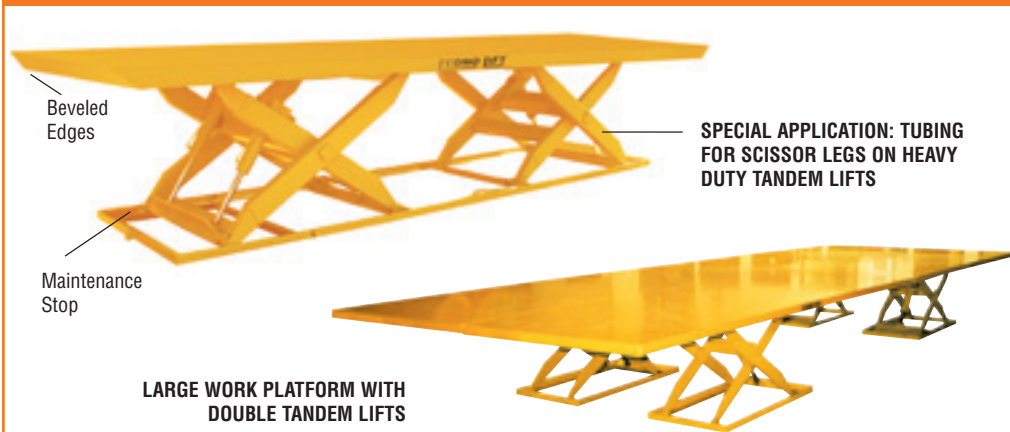
- Easy access to power unit and cylinders, maintenance bar provided
- Self lubricated bronze bushings on all wear points

OPTIONS

- Oversized platforms
- Beveled edges for pit mounting
- Eye-bolts for pit mounting
- Rotating tops (available)
 - spring detents
 - manual detents
- Roller conveyor, Ball transfer tops
- Bellow safety skirting
- Safety tape switch
- Safety touch bars
- Semi-portable
- Portable
- 42" high hand rails with toe boards
- Diamond plate platform, ramp & flip plates



OPTIONS & SPECIAL APPLICATIONS



SPECIFICATIONS - STANDARD 24" WIDE BASE LIFT TABLES

MODEL NO.	CAPACITY (LBS.)	STD. PLAT. BASE (W x L) (IN.)	OVERSIZED PLATFORMS (UP TO) (IN.)	LOW HT (IN.)	RAISED HT (IN.)	UP SPEED (SEC.)	MOTOR (H.P.)	VOLT/PH/Hz	SHIP WEIGHT (LBS)
36" TRAVEL - 24" WIDE x 96" LONG PLATFORM/BASE									
TSL36-10	1,000	24 x 96	48 x 144	9	45	20	1	110/1/60	920
TSL36-20	2,000	24 x 96	48 x 144	9	45	30	1	110/1/60	950
TSL36-40	4,000	24 x 96	48 x 144	9	45	40	1	110/1/60	1050
TSL36-60	6,000	24 x 96	48 x 144	9	45	35	1	208, 220, 460, 575/3/60	1100
TSL36-80	8,000	24 x 96	48 x 144	9	45	45	1	208, 220, 460, 575/3/60	1500
TSL36-100	10,000	24 x 96	48 x 144	9	45	55	1	208, 220, 460, 575/3/60	1550
TSL36-120	12,000	24 x 96	48 x 144	9	45	57	1	208, 220, 460, 575/3/60	1600
48" TRAVEL - 24" WIDE x 144" LONG PLATFORM/BASE									
TSL48-10	1,000	24 x 144	48 x 192	9	57	32	1	110/1/60	1100
TSL48-20	2,000	24 x 144	48 x 192	9	57	43	1	110/1/60	1200
TSL48-40	4,000	24 x 144	48 x 192	9	57	55	1	110/1/60	1300
TSL48-60	6,000	24 x 144	48 x 192	9	57	45	1	208, 220, 460, 575/3/60	1350
TSL48-80	8,000	24 x 144	48 x 192	9	57	55	1	208, 220, 460, 575/3/60	1700
TSL48-100	10,000	24 x 144	48 x 192	9	57	60	1	208, 220, 460, 575/3/60	1750
TSL48-120	12,000	24 x 144	48 x 192	9	57	62	1	208, 220, 460, 575/3/60	1800
60" TRAVEL - 24" WIDE x 176" LONG PLATFORM/BASE									
TSL60-10	1,000	24 x 176	48 x 224	9	69	38	1	110/1/60	1650
TSL60-20	2,000	24 x 176	48 x 224	9	69	50	1	110/1/60	1700
TSL60-40	4,000	24 x 176	48 x 224	9	69	60	1	110/1/60	1770
TSL60-60	6,000	24 x 176	48 x 224	9	69	50	1	208, 220, 460, 575/3/60	2000
TSL60-80	8,000	24 x 176	48 x 224	9	69	65	1	208, 220, 460, 575/3/60	2400
TSL60-100	10,000	24 x 176	48 x 224	9	69	78	1	208, 220, 460, 575/3/60	2500
TSL60-120	12,000	24 x 176	48 x 224	9	69	80	1	208, 220, 460, 575/3/60	2600

DOUBLE SCISSOR LIFT TABLES

500 / 1,000 / 1,500 / 2,000 / 4,000 / 5,000 / 6,000 LBS



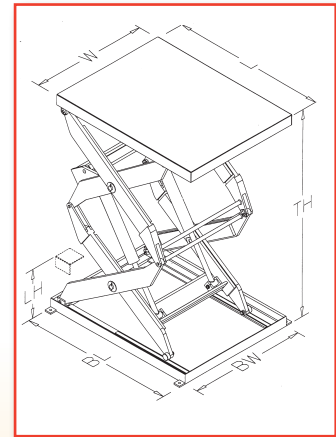
LIGHT DUTY DOUBLE SCISSOR LIFT

MODEL NO.	CAPACITY (LBS.)	STD. PLAT. BASE (W x L) (IN.)	OVERSIZED PLATFORMS (UP TO) (IN.)	LOW HT (LH) (IN.)	RAISED HT (TH) (IN.)	UP SPEED (SEC.)	MOTOR (H.P.)	VOLT/HP/HZ	SHIP WEIGHT (LBS.)
LDSL30-5-12*	500	12 x 24	12 x 24	6	36	20	1/2	115/1/60	185
LDSL30-5-16	500	16 x 24	24 x 36	6	36	20	1/2	115/1/60	210
LDSL30-10	1,000	16 x 24	24 x 36	6	36	20	1/2	115/1/60	210
LDSL36-15	1,500	16 x 36	30 x 48	6	42	25	3/4	115/1/60	220

*Power pack external **

STANDARD 24" WIDE BASE DOUBLE SCISSOR LIFT TABLES

MODEL NO.	CAPACITY (LBS.)	STD. PLAT. BASE (W x L) (IN.)	OVERSIZED PLATFORMS (UP TO) (IN.)	LOW HT (LH) (IN.)	RAISED HT (TH) (IN.)	UP SPEED (SEC.)	MOTOR (H.P.)	VOLT/HP/HZ	SHIP WEIGHT (LBS.)
48" TRAVEL - 24" WIDE x 36" LONG PLATFORM/BASE									
DSL48-10	1,000	24 x 36	48 x 60	12	60	18	1	115/1/60	625
DSL48-15	1,500	24 x 36	48 x 60	12	60	20	1	115/1/60	650
DSL48-20	2,000	24 x 36	48 x 60	12	60	30	1	115/1/60	675
DSL48-30	3,000	24 x 36	48 x 60	16	64	40	1	115/1/60	695
DSL48-40	4,000	24 x 36	48 x 60	16	64	55	1	115/1/60	725
DSL48-50	5,000	24 x 36	48 x 60	16	64	40	1	208, 220, 460, 575/3/60	750
DSL48-60	6,000	24 x 36	48 x 60	16	64	55	1	208, 220, 460, 575/3/60	780
72" TRAVEL - 24" WIDE x 48" LONG PLATFORM/BASE									
DSL72-10	1,000	24 x 48	48 x 72	12	84	20	1	115/1/60	850
DSL72-15	1,500	24 x 48	48 x 72	12	84	22	1	115/1/60	875
DSL72-20	2,000	24 x 48	48 x 72	12	84	32	1	115/1/60	900
DSL72-30	3,000	24 x 48	48 x 72	16	88	44	1	115/1/60	930
DSL72-40	4,000	24 x 48	48 x 72	16	88	60	1	115/1/60	975
DSL72-50	5,000	24 x 48	48 x 72	16	88	49	1	208, 220, 460, 575/3/60	1,000
DSL72-60	6,000	24 x 48	48 x 72	16	88	57	1	208, 220, 460, 575/3/60	1,050



OPTIONS

- Oversized platforms
- Beveled edges for pit mounting
- Eye-bolts for pit mounting
- Rotating tops
 - spring detents
 - manual detents
- Roller conveyor, Ball transfer tops
- Bellow safety skirting
- Safety tape switch
- Semi-portable
- Portable

SPECIFICATIONS - wide based units; for wider platform applications and greater stability.

36" WIDE BASE DOUBLE SCISSOR LIFT TABLES

MODEL NO.	CAPACITY (LBS.)	STD. PLAT. BASE (W x L) (IN.)	OVERSIZED PLATFORMS (UP TO) (IN.)	LOW HT (LH) (IN.)	RAISED HT (TH) (IN.)	UP SPEED (SEC.)	MOTOR (H.P.)	VOLT/HP/HZ	SHIP WEIGHT (LBS.)
48" TRAVEL - 36" WIDE x 36" LONG PLATFORM/BASE									
3DSL48-10	1,000	36 x 36	60 x 60	12	60	18	1	115/1/60	650
3DSL48-15	1,500	36 x 36	60 x 60	12	60	20	1	115/1/60	675
3DSL48-20	2,000	36 x 36	60 x 60	12	60	30	1	115/1/60	700
3DSL48-30	3,000	36 x 36	60 x 60	16	64	40	1	115/1/60	725
3DSL48-40	4,000	36 x 36	60 x 60	16	64	55	1	115/1/60	750
3DSL48-50	5,000	36 x 36	60 x 60	16	64	40	1	208, 220, 460, 575/3/60	775
3DSL48-60	6,000	36 x 36	60 x 60	16	64	55	1	208, 220, 460, 575/3/60	800
72" TRAVEL - 36" WIDE x 48" LONG PLATFORM/BASE									
3DSL72-10	1,000	36 x 48	60 x 72	12	84	20	1	115/1/60	875
3DSL72-15	1,500	36 x 48	60 x 72	12	84	22	1	115/1/60	900
3DSL72-20	2,000	36 x 48	60 x 72	12	84	32	1	115/1/60	925
3DSL72-30	3,000	36 x 48	60 x 72	16	88	44	1	115/1/60	950
3DSL72-40	4,000	36 x 48	60 x 72	16	88	60	1	115/1/60	995
3DSL72-50	5,000	36 x 48	60 x 72	16	88	49	1	208, 220, 460, 575/3/60	1,050
3DSL72-60	6,000	36 x 48	60 x 72	16	88	57	1	208, 220, 460, 575/3/60	1,095

48" WIDE BASE DOUBLE SCISSOR LIFT TABLES

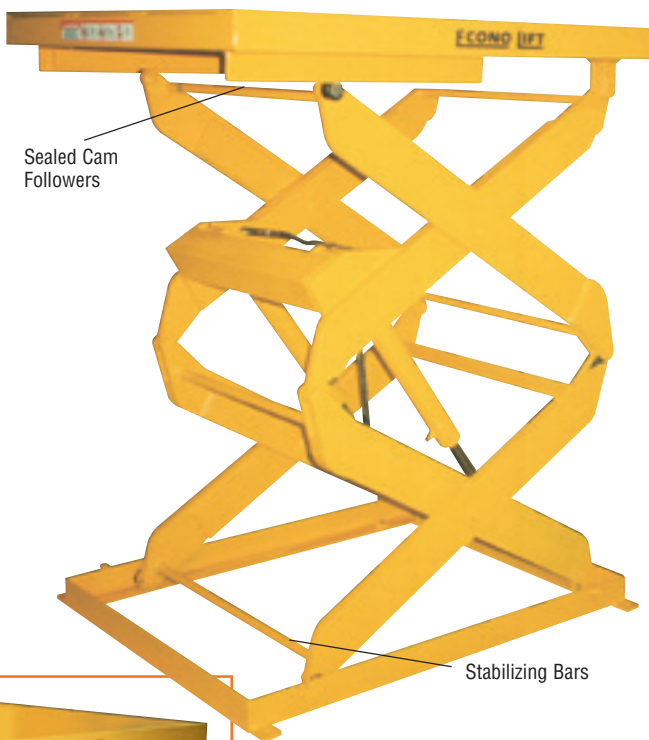
MODEL NO.	CAPACITY (LBS.)	STD. PLAT. BASE (W x L) (IN.)	OVERSIZED PLATFORMS (UP TO) (IN.)	LOW HT (LH) (IN.)	RAISED HT (TH) (IN.)	UP SPEED (SEC.)	MOTOR (H.P.)	VOLT/HP/HZ	SHIP WEIGHT (LBS.)
48" TRAVEL - 48" WIDE x 36" LONG PLATFORM/BASE									
4DSL48-10	1,000	48 x 36	72 x 60	12	60	18	1	115/1/60	875
4DSL48-15	1,500	48 x 36	72 x 60	12	60	20	1	115/1/60	900
4DSL48-20	2,000	48 x 36	72 x 60	12	60	30	1	115/1/60	925
4DSL48-30	3,000	48 x 36	72 x 60	16	64	40	1	115/1/60	950
4DSL48-40	4,000	48 x 36	72 x 60	16	64	55	1	115/1/60	995
4DSL48-50	5,000	48 x 36	72 x 60	16	64	40	1	208, 220, 460, 575/3/60	1,050
4DSL48-60	6,000	48 x 36	72 x 60	16	64	55	1	208, 220, 460, 575/3/60	1,095
72" TRAVEL - 48" WIDE x 48" LONG PLATFORM/BASE									
4DSL72-10	1,000	48 x 48	72 x 72	12	84	20	1	115/1/60	1,050
4DSL72-15	1,500	48 x 48	72 x 72	12	84	22	1	115/1/60	1,100
4DSL72-20	2,000	48 x 48	72 x 72	12	84	32	1	115/1/60	1,195
4DSL72-30	3,000	48 x 48	72 x 72	16	88	44	1	115/1/60	1,295
4DSL72-40	4,000	48 x 48	72 x 72	16	88	60	1	115/1/60	1,400
4DSL72-50	5,000	48 x 48	72 x 72	16	88	49	1	208, 220, 460, 575/3/60	1,450
4DSL72-60	6,000	48 x 48	72 x 72	16	88	57	1	208, 220, 460, 575/3/60	1,495

DOUBLE SCISSOR LIFT TABLES

500/1,000/1,500/2,000/3,000/4,000/5,000/6,000 LBS



Heavy Duty Cylinders with Chrome Plated Rams and Polyurethane Seals



Sealed Cam Followers

Stabilizing Bars

Hold Down Tabs



CAPACITY

- 1,000/1,500/2,000/3,000/4,000/5,000/6,000 lbs.

PLATFORM SIZES

- 24" wide x 36" long to 72" wide x 72" long

BASE SIZES

- Standard 24",36",48" wide x 36",48" long

TRAVEL

- 48", 72" vertical travel

LOWERED HEIGHTS

- 12", 18"

SAFETY

- Velocity fuse is standard on each cylinder
- Heavy duty hydraulic cylinders - chrome plated rod with polyurethane seals

POWER SUPPLIES

A/C 110/1/60 volt (standard)

Hand or foot operated

A/C 460/575/3/60 volt (opt.)

Hand or foot operated

Air/Hydraulic

Foot operated (standard)

Hand operated (optional)

- Internally mounted
- Easily accessible for maintenance or repair
- Motors - Single phase 1 h.p. and three phase 1-1/2 h.p. - hand or foot operated standard

MAINTENANCE

- Hinged table top provides easy access to power unit and cylinders
- Self lubricated bronze bushings on all wear points

OPTIONS & SPECIAL APPLICATIONS

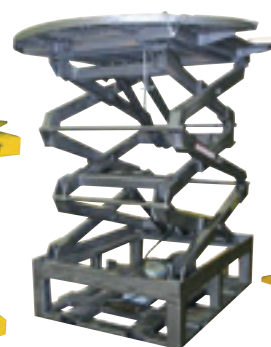
Portable D/C Battery Double Scissor Lift



Rotating Top



Different Sized Platforms/Bases



Triple Scissor Lift with Round Top

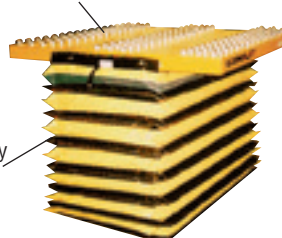


Quad Scissor Lift

"V" Plate Double Scissor Lift



Ball Transfer Top (Conveyers available)



Bellow Safety Skirting

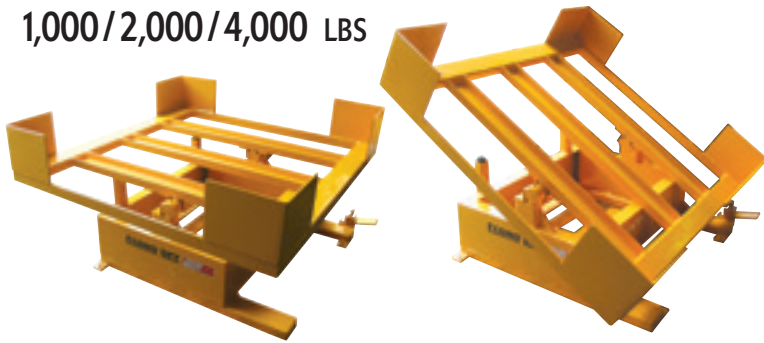


Movable Top

Double Scissor Lift

MECHANICAL GRAVITY FILTERS

1,000/2,000/4,000 LBS



OPTIONS



MECHANICAL GRAVITY FILTER

MODEL NO.	CAPACITY (LBS.)	PLATFORM SIZE (W X D) (IN.)	PLATFORM HEIGHT (IN.)	TILT ANGLE	WEIGHT (LBS.)
MECHANICAL GRAVITY FILTER					
MGT10	1,000	50 x 50	18"	30°	500
MGT20	2,000	50 x 50	18"	30°	550
MGT40	4,000	50 x 50	18"	30°	600

CAPACITY

- 1,000/2,000/4,000 lbs.

TILT ANGLE

- 0-30 degrees (standard)

LOWERED HEIGHT

- 18"

POWER SUPPLIES

Manual

OPTIONS

- Larger or smaller sizes available

TILT TABLES

1,000/2,000/4,000/6,000 LBS



CAPACITY

- 1,000/2,000/4,000/6,000 lbs.

TILT ANGLE

- 0-45 degrees (standard)

FRONT RETAINING LIP

- 8" high (standard)

SAFETY

- Velocity fuses on each cylinder to eliminate the table from collapsing due to hose failure
- Hold down tabs on all four corners

LOWERED HEIGHT

- 9"

POWER SUPPLIES

A/C 110/1/60 volt

Hand or foot operated (standard)

A/C 220/460/575/3/60

Hand or foot operated (optional)

Air/Hydraulic

Foot operated (standard)

Hand operated (optional)

SAFETY

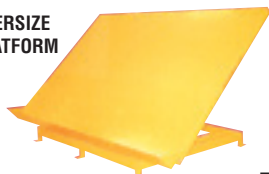
- Bellow safety skirting
- Safety tape switch
- Retaining lip - larger or smaller
- Conveyor or ball transfer tops

OPTIONS

- Platforms: larger or smaller
- Tilt Angle: increased or restricted
- Mounted on carousel

OPTIONS & SPECIAL APPLICATIONS

OVERSIZE PLATFORM



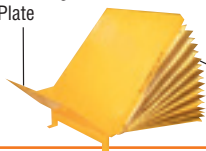
LIFT AND/OR TILT TABLE



LIGHT DUTY APPLICATION



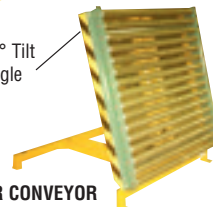
Larger Front Retaining Plate



TILT TABLE MOUNTED ON A CARROUSEL



90° Tilt Angle



ROLLER CONVEYOR

Bellow Safety Skirting

MODEL NO.	CAPACITY (LBS.)	PLATFORM SIZE (W X D) (IN.)	MAXIMUM PLATFORM SIZE (W X D)	TILT ANGLE	RAISING TIME (seconds)	WEIGHT (LBS.)
24" WIDE TILT TABLES						
TRT-1-2436	1,000	24 x 36	48 x 48	45°	15	250
TRT-2-2436	2,000	24 x 36	48 x 48	45°	18	380
TRT-4-2436	4,000	24 x 36	48 x 48	45°	20	410
TRT-6-2436	6,000	24 x 36	48 x 48	45°	22	430
50" WIDE TILT TABLES						
TRT-1-5050	1,000	50 x 50	72 x 72	45°	18	320
TRT-2-5050	2,000	50 x 50	72 x 72	45°	23	450
TRT-4-5050	4,000	50 x 50	72 x 72	45°	25	490
TRT-6-5050	6,000	50 x 50	72 x 72	45°	30	580

LIFT/TILT TABLES

1,000/2,000/4,000 LBS

8" high front retaining lip c/w side gussets.

Lift and tilt, integrated as one unit (not two separate machines put together).

All Pivot and Wear Points Have Bronze Self Lubricating Bushings

Internally Mounted Power Pack (for A/C units only)



CAPACITY

- 1,000/2,000/4,000 lbs.

SAFETY

- Velocity fuses on each cylinder to eliminate the table from collapsing due to hose failure

TILT ANGLE

- 0-30/45 degrees

LOWERED HEIGHT

- 12"

TRAVEL

- 24", 36", 42"

FRONT RETAINING LIP

- 8" high (standard)

POWER SUPPLIES

A/C 110/1/60 volt (standard)

Hand or foot operated

A/C 460/575/3/60 volt (opt.)

Hand or foot operated

Air/Hydraulic

Foot operated (standard)

Hand operated (optional)

OPTIONS

- Platforms: wider or deeper
- Bellow safety skirting
- Stainless steel, galvanized or 'steel-it' painted units
- Lift/tilt: reduced or increased

OPTIONS & SPECIAL APPLICATIONS

MODEL NO.	CAPACITY (lbs.)	LOW'D HEIGHT (IN.)	TRAVEL (IN.)	TOTAL HEIGHT (IN.)	STANDARD PLATFORM AND BASE (W x D) (IN.)	OVERSIZED PLATFORM UP TO (W x D) (IN.)	UP SPEED APPROX	MOTOR H.P.
24" TRAVEL - 48" x 36" (W x D) PLATFORM - TILT ANGLE 0 - 30°								
TR-SL 24-10	1,000	12	24	36	48 x 36	60 x 60	15	1
TR-SL 24-20	2,000	12	24	36	48 x 36	60 x 60	21	1
TR-SL 24-40	4,000	12	24	36	48 x 36	60 x 60	30	1 1/2
36" TRAVEL - 48" x 48" (W x D) PLATFORM - TILT ANGLE 0 - 45°								
TR-SL 36-10	1,000	12	36	48	48 x 48	72 x 72	20	1
TR-SL 36-20	2,000	12	36	48	48 x 48	72 x 72	30	1
TR-SL 36-40	4,000	12	36	48	48 x 48	72 x 72	35	1 1/2
42" TRAVEL - 60" x 48" (W x D) PLATFORM - TILT ANGLE 0 - 45°								
TR-SL 42-10	1,000	12	42	54	60 x 48	84 x 72	25	1
TR-SL 42-20	2,000	12	42	54	60 x 48	84 x 72	35	1
TR-SL 42-40	4,000	12	42	54	60 x 48	84 x 72	45	1 1/2

LIFT & TILTS

SELF PROPELLED LIFT TABLES

2,000 / 3,000 / 4,000 / 5,000 / 6,000 LBS

LIFT & TILTS



CAPACITY

- 2,000/3,000/4,000/5,000/6,000 lbs.

PLATFORM SIZES

- 24" wide x 36" long to 60" wide x 96" long

BASE SIZES

- Standard 24, 36" wide x 36", 48", 60", 72" long

TRAVEL

- 24", 36", 42", 48" vertical travel

LOWERED HEIGHT OF LIFT TABLE

- 12"

SAFETY

- Velocity fuse is standard on each cylinder
- Heavy duty hydraulic cylinders - chrome plated rod with polyurethane seals
- Horn in control head

MAINTENANCE

- Hinged table top provides easy access to power unit and cylinders
- Self lubricated bronze bushings on all wear points
- Easy removable cover

LIFT TABLE OPTIONS

- Oversized platforms
- Rotating tops - spring detents - manual detents
- Roller conveyor, Ball transfer tops
- Bellow safety skirting
- Safety tape switch
- Safety touch bars

DRIVE UNIT/ELECTRICS

- 24 volt system
- Variable speed control - forward/reverse
- Built in 24 volt charger

CONTROL HEAD

- Butterfly switches for forward and reverse
- Push buttons for raising and lowering of forks
- Built in horn

BRAKES

- Engaged in upper thru lower position of the steering column when power is turned off
- Electro-mechanical brake system

STEERING

- 180 degree turning radius
- Handle ergonomically designed

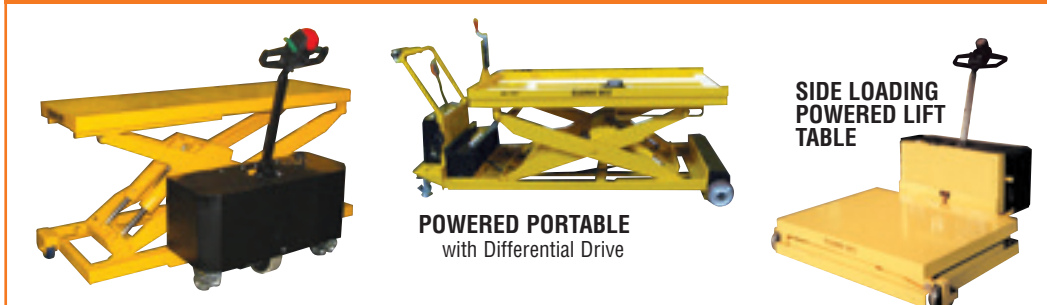
POWER SUPPLIES

- D/C Battery 24 volt push button

OPTIONS

- Longer Forks
- Industrial battery
- Industrial charger
- Battery discharge indicator
- Hour meter

OPTIONS & SPECIAL APPLICATIONS



POWERED PORTABLE with Differential Drive

SIDE LOADING POWERED LIFT TABLE

SPECIFICATIONS - STANDARD 24" WIDE BASE LIFT TABLES

MODEL NO.	CAPACITY (LBS.)	STD. PLAT. BASE (W x L) (IN.)	OVERSIZED PLATFORMS (UP TO) (IN.)	LOW HT (IN.)	RAISED HT (IN.)	UP SPEED (SEC.)	SHIP WEIGHT (LBS)
24" TRAVEL - 24" WIDE x 36" LONG PLATFORM/BASE							
PLT24-20	2,000	24 x 36	48 x 60	12	36	15	600
PLT24-40	4,000	24 x 36	48 x 60	12	36	21	620
PLT24-60	6,000	24 x 36	48 x 60	12	36	32	670
36" TRAVEL - 24" WIDE x 48" LONG PLATFORM/BASE							
PLT36-20	2,000	24 x 48	48 x 72	12	48	17	750
PLT36-30	3,000	24 x 48	48 x 72	12	48	30	770
PLT36-40	4,000	24 x 48	48 x 72	12	48	37	800
PLT36-50	5,000	24 x 48	48 x 72	12	48	42	830
PLT36-60	6,000	24 x 48	48 x 72	12	48	45	850
48" TRAVEL - 24" WIDE x 72" LONG PLATFORM/BASE							
PLT48-20	2,000	24 x 72	48 x 96	12	60	32	1000
PLT48-40	4,000	24 x 72	48 x 96	12	60	48	1150
PLT48-60	6,000	24 x 72	48 x 96	12	60	54	1200

WIDE BASED UNITS for wider platform applications and greater stability.

36" WIDE BASE LIFT TABLES

MODEL NO.	CAPACITY (LBS.)	STD. PLAT. BASE (W x L) (IN.)	OVERSIZED PLATFORMS (UP TO) (IN.)	LOW HT (IN.)	RAISED HT (IN.)	UP SPEED (SEC.)	SHIP WEIGHT (LBS)
24" TRAVEL - 36" WIDE x 36" LONG PLATFORM/BASE							
3PLT24-20	2,000	36 x 36	60 x 60	12	36	15	680
3PLT24-40	4,000	36 x 36	60 x 60	12	36	21	720
3PLT24-60	6,000	36 x 36	60 x 60	12	36	32	750
36" TRAVEL - 36" WIDE x 48" LONG PLATFORM/BASE							
3PLT36-20	2,000	36 x 48	60 x 72	12	48	17	950
3PLT36-40	4,000	36 x 48	60 x 72	12	48	30	990
3PLT36-60	6,000	36 x 48	60 x 72	12	48	37	1050
48" TRAVEL - 36" WIDE x 72" LONG PLATFORM/BASE							
3PLT48-20	2,000	36 x 72	60 x 96	12	60	32	1300
3PLT48-40	4,000	36 x 72	60 x 96	12	60	48	1400
3PLT48-60	6,000	36 x 72	60 x 96	12	60	54	1480

HAND PUMP/BATTERY SKID LIFTS

- Quick lift for loads under 330 lbs.
- Normal lift for loads over 330 lbs.
- Front support legs with adjustable stabilizers that contact the floor when forks are 16.5" above the floor
- Telescopic cylinder gives better safer lines

LIFT HEIGHT

- 32"

LOWERED HEIGHT

- 3.4"

FORK DIMENSIONS

- 21" or 27" wide x 45" long

SAFETY

- Front support legs and adjustable stabilizers contacts floor automatically at 16.5"

POWER SUPPLIES

- Hand Pump
- D/C 12v battery

OPTIONS

- Platforms available



2,200 / 3,300 LBS

HAND PUMP SKID LIFTS (HPSL)

MODEL NO.	CAPACITY (LBS.)	WEIGHT LIFT/STROKE	LIFT HEIGHT (IN.)	MIN. FORK HEIGHT (IN.)	O.A. FORK WIDTH (IN.)	O.A. FORK LENGTH (IN.)	LOAD WHEEL	STEERING WHEEL	WEIGHT (LBS.)
HAND PUMP SKID LIFTS									
HPSL22	2200	up to 330 lbs. - 1"/stroke	32	3.4	21 or 27	45	2.75" DIA.	6"	246
HPSL33	3300	330 lbs.+ - .41"/stroke	32	3.4	21 or 27	45	2.75" DIA.	6"	275

BATTERY SKID LIFTS (BPSL)

MODEL NO.	CAPACITY (LBS.)	BATTERY	LIFT HEIGHT (IN.)	MIN. FORK HEIGHT (IN.)	O.A. FORK WIDTH (IN.)	O.A. FORK LENGTH (IN.)	LOAD WHEEL	STEERING WHEEL	WEIGHT (LBS.)
BATTERY SKID LIFTS									
BPSL22	2200	12V	32	3.4	21 or 27	45	2.75" DIA.	6"	323
BPSL33	3300	12V	32	3.4	21 or 27	45	2.75" DIA.	6"	345

SELF PROPELLED PORTABLE SKID LIFTS

DRIVE UNIT/ELECTRICS

- 24 volt system
- Variable speed control - forward/reverse
- Built in 24 volt charger

CONTROL HEAD

- Butterfly switches for forward and reverse
- Push buttons for raising and lowering of forks
- Built in horn

BRAKES

- Engaged in upper thru lower position of the steering column when power is turned off
- Electro-mechanical brake system

STEERING

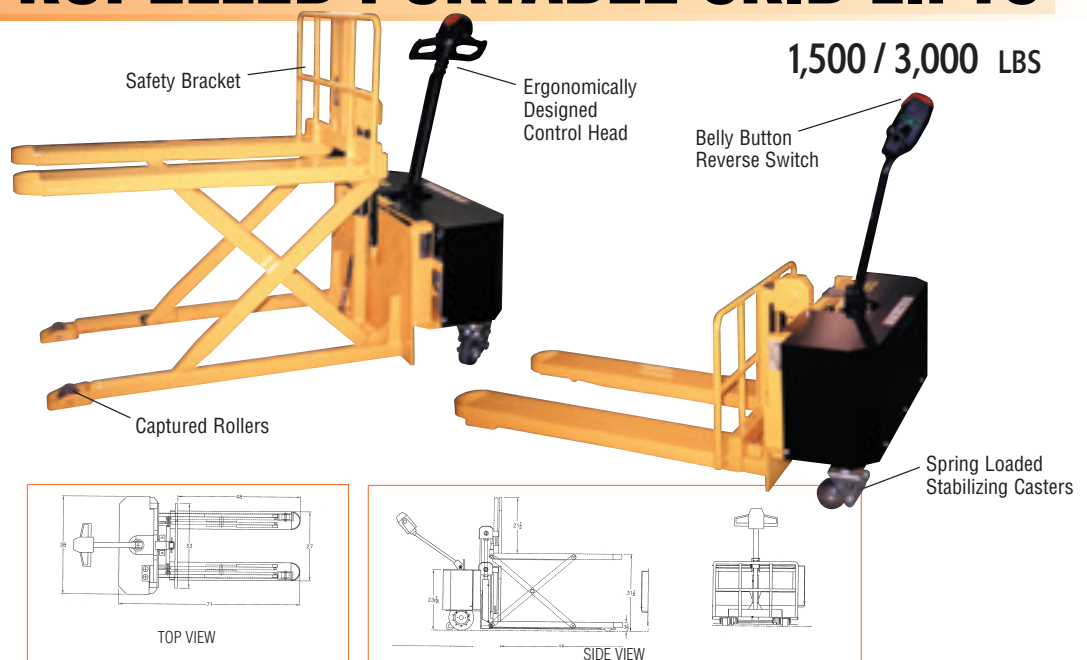
- 180 degree turning radius
- Handle ergonomically designed

POWER SUPPLIES

- D/C Battery 24 volt

OPTIONS

- Longer Forks
- Industrial battery
- Industrial charger
- Battery discharge indicator
- Hour meter



SELF PROPELLED PORTABLE SKID LIFT

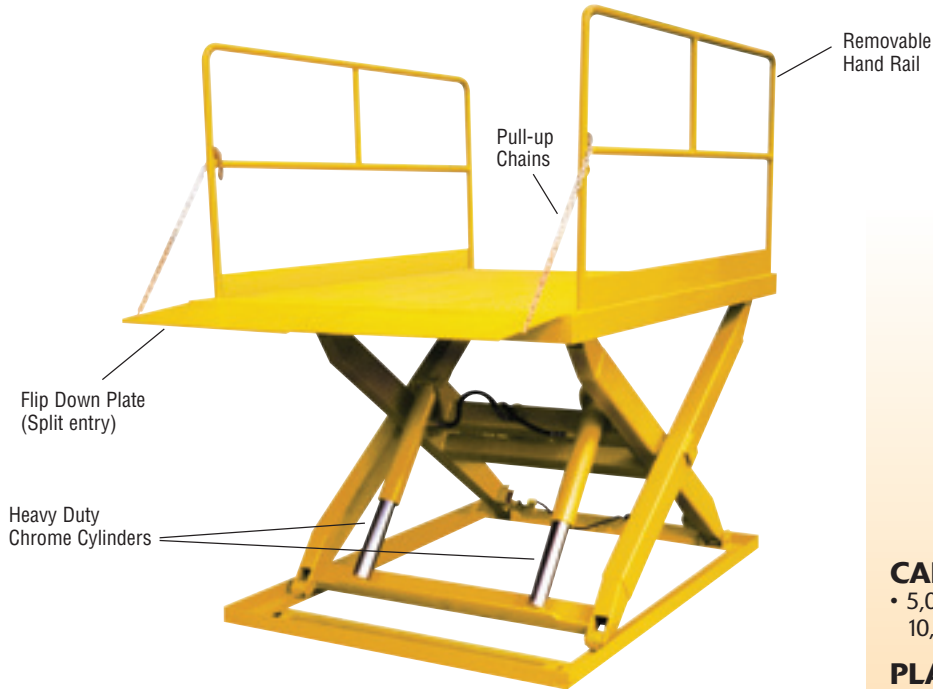
MODEL NO.	CAPACITY (LBS.)	FORK DIMENSIONS (W X L) (IN.)	FORK HEIGHTS (IN.)		WEIGHT (LBS.)
			LOWERED	RAISED	
PPSL-15B	1,500	27 x 48	3.5	31.5	600
PPSL-30B	3,000	27 x 48	3.5	31.5	800

LIFT & TILTS

LOADING DOCKS

5,000 / 6,000 / 8,000 / 10,000 / 12,000 LBS

LIFT & TILTS



CAPACITY

- 5,000 / 6,000 / 8,000 / 10,000 / 12,000 lbs.

PLATFORM

- Checker plate
- Split plate
- 18" high x 68" wide

BASE SIZES

- Standard 66", 68, 89" wide x 92", 93", 114, 138" long

TRAVEL

- 59"

LOWERED HEIGHT OF LOADING DOCK

- Consult chart

POWER SUPPLY

A/C 220/460/575 volt
3 Phase (standard*)

* 5,000/6,000 lb. units use 1 H.P. single phase motors

- Three phase motors (hand operated controls standard)
- 10' Hose and cables
- Different HP available (ie. 7/10)

OPTIONS

- Different platform sizes
- Bellow safety skirting / safety touch bars / beveled edge
- Limit switches / photo eyes
- Eye bolts - for moving lifts easily
- Semi-portable c/w dolly handle

SPECIFICATIONS - 72" PLATFORM WIDTH

MODEL NO.	CAPACITY (LBS.)	LOWERED HEIGHT (IN.)	VERTICAL TRAVEL (IN.)	BASE FRAME (IN.)	MOTOR (H.P.)	APPROX. LIFT TIME (SEC.)	APPROX. WEIGHT (LBS.)
STANDARD PLATFORM SIZE 72" WIDE X 96" LONG							
LD-5-7296	5,000	9	59	66 X 92	1	100	2,280
LD-6-7296	6,000	12	59	66 X 92	1	120	2,400
LD-8-7296	8,000	12	59	66 X 92	3	55	3,259
LD-10-7296	10,000	12	59	66 X 92	3	70	3,800
LD-12-7296	12,000	14	59	68 X 93	5	54	4,100
STANDARD PLATFORM SIZE 72" WIDE X 120" LONG							
LD-5-72120	5,000	9	59	66 X 92	1	100	2,500
LD-6-72120	6,000	12	59	66 X 92	1	120	2,600
LD-8-72120	8,000	12	59	66 X 92	3	55	3,400
LD-10-72120	10,000	12	59	66 X 92	3	70	4,500
LD-12-72120	12,000	14	59	68 X 114	5	54	6,200
STANDARD PLATFORM SIZE 72" WIDE X 144" LONG							
LD-12-72144	12,000	14	59	68 X 138	5	54	7,200

SPECIFICATIONS - 96" PLATFORM WIDTH

MODEL NO.	CAPACITY (LBS.)	LOWERED HEIGHT (IN.)	VERTICAL TRAVEL (IN.)	BASE FRAME (IN.)	MOTOR (H.P.)	APPROX. LIFT TIME (SEC.)	APPROX. WEIGHT (LBS.)
STANDARD PLATFORM SIZE 96" WIDE X 96" LONG							
LD-5-9696	5,000	9	59	68 X 93	1	100	2,500
LD-6-9696	6,000	10	59	68 X 93	1	120	3,000
LD-8-9696	8,000	14	59	68 X 93	3	55	3,520
LD-10-9696	10,000	14	59	68 X 93	3	70	4,500
LD-12-9696	12,000	14	59	89 X 93	5	54	5,200
STANDARD PLATFORM SIZE 96" WIDE X 120" LONG							
LD-5-96120	5,000	9	59	68 X 93	1	100	2,800
LD-6-96120	6,000	10	59	68 X 93	1	120	3,400
LD-8-96120	8,000	14	59	68 X 93	3	55	3,900
LD-10-96120	10,000	14	59	68 X 93	3	70	4,200
LD-12-96120	12,000	14	59	89 X 114	5	54	6,900
STANDARD PLATFORM SIZE 96" WIDE X 144" LONG							
LD-12-96144	12,000	14	59	89 X 138	5	54	7,400

LOW PROFILE SCISSOR LIFTS

CAPACITY

- 500/1,000/2,000/4,000 lbs.

PLATFORM SIZES

- 24" wide x 48" long to 72" wide x 72" long

BASE SIZES

- 24" wide x 48" wide and x 48" wide x 48" wide

TRAVEL

- 29"

LOWERED HEIGHTS

- 4.3"

SAFETY

- Velocity fuses
- Pressure compensated flow divider

POWER SUPPLIES

- External A/C 110 volt power (standard)
- Hand or covered foot control

MAINTENANCE

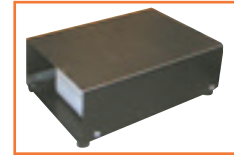
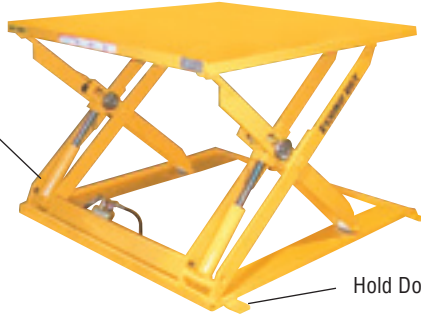
- Hinged top for easy access
- Self lubricated bushings on all pivot points

OPTIONS

- Oversized platforms
- Rotating tops
- Electric toe guards
- Safety tape switch
- Conveyors
- Bellow skirting

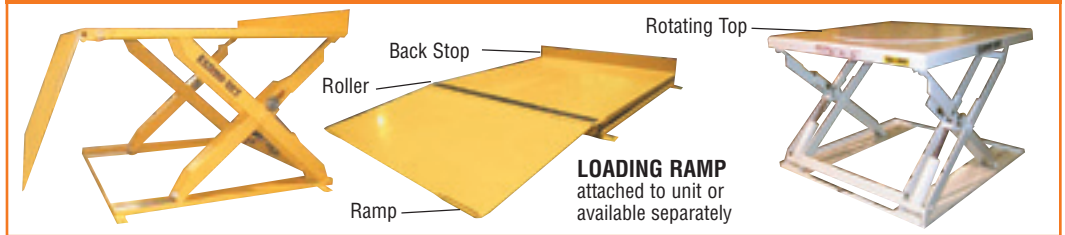
500 / 1,000 / 2,000 / 4,000 LBS

Heavy Duty Cylinders with Chrome Plated Rams and Polyurethane Seals



External Low Profile Power Pack (hand or foot control)

OPTIONS & SPECIAL APPLICATIONS



SPECIFICATIONS - STANDARD WIDE BASE LIFT TABLES

MODEL NO.	CAPACITY (LBS.)	STD. PLAT. BASE (W x L) (IN.)	OVERSIZED PLATFORMS (UP TO) (IN.)	LOW HT (IN.)	TRAVEL (IN.)	TOTAL HEIGHT (IN.)	H.P.	VOLT/PH/HZ	SHIP WEIGHT
STANDARD 24" WIDE BASE LIFT TABLES									
LP29-5	500	24 x 48	48 x 72	4.3	29	33.3	1	110/1/60	325
LP29-10	1000	24 x 48	48 x 72	4.3	29	33.3	1	110/1/60	350
LP29-20	2000	24 x 48	48 x 72	4.3	29	33.3	1	110/1/60	550
LP29-40	4000	24 x 48	48 x 72	4.3	29	33.3	1	110/1/60	650
STANDARD 48" WIDE BASE LIFT TABLES									
4LP29-5	500	48 x 48	72 x 72	4.3	29	33.3	1	110/1/60	350
4LP29-10	1000	48 x 48	72 x 72	4.3	29	33.3	1	110/1/60	375
4LP29-20	2000	48 x 48	72 x 72	4.3	29	33.3	1	110/1/60	575
4LP29-40	4000	48 x 48	72 x 72	4.3	29	33.3	1	110/1/60	700

LOW PROFILE LOADING DOCK

5,000 LBS

CAPACITY

- 5000 lbs.

PLATFORM/BASE SIZES

- 72" wide x 96" long diamond tread plate

TRAVEL

- 54

LOWERED HEIGHT

- 6"

SAFETY

- Velocity fuse on all cylinders
- Pressure compensated flow divider
- Safety chain across both ends and attached to flip plates

RAILS

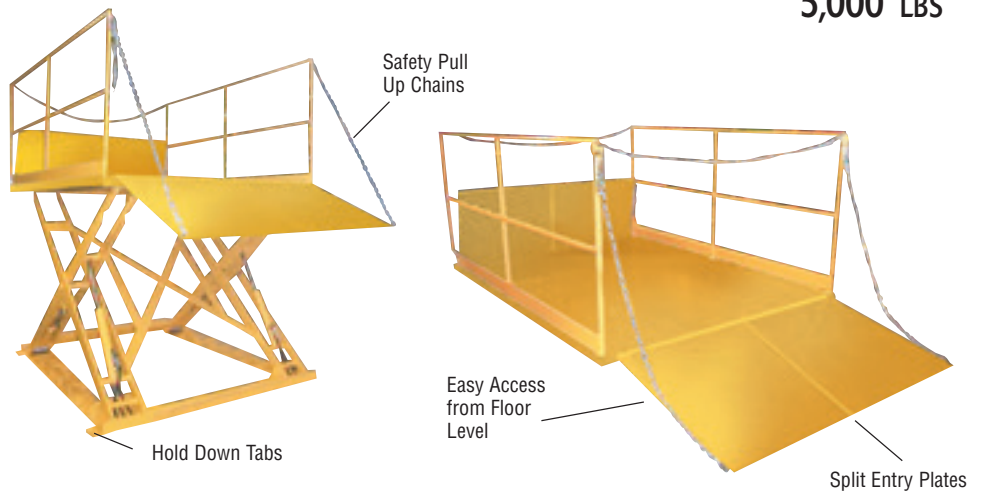
- 42" high removable handrails with midrail and kick plate

SPLIT FLIP PLATES

- 24" H x 68" W & 36" H x 68" W

POWER

- 460/3/60 - hand control



LOW PROFILE LOADING DOCKS

MODEL NO.	CAPACITY (LBS.)	PLATFORM SIZE (W x H) (IN.)	LOW HT. (IN.)	TRAVEL (IN.)	TOTAL HEIGHT (IN.)	VOLT/PH/HZ	SHIP WEIGHT (LBS.)
LPD54-50	5000	72 x 96	6	54	60	220-460-575/3/60	2600

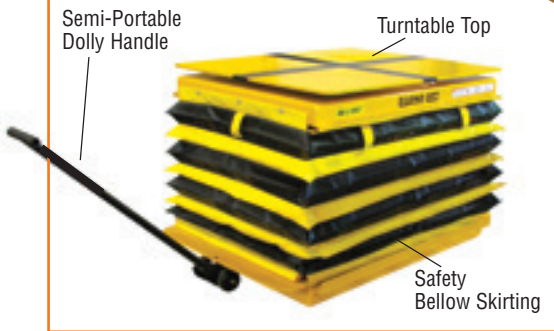
SPRING TABLES

400 - 4,500 LBS



SPT45

OPTIONS



CAPACITY

- 400 - 4,500 lbs.

PLATFORM SIZES

- 32" wide x 48" long to 54" wide x 54" long

BASE SIZES

- Standard 32" wide x 48" long

TRAVEL

- 20" vertical travel

LOWERED HEIGHT

- 10"

SAFETY

- Captured rollers

POWER SUPPLY

- Spring powered

MAINTENANCE

- Hinged table top provides easy access to springs
- Self lubricated bronze bushings on all wear points

OPTIONS

- Oversized platforms
- Corner gussets
- Rotating tops
 - spring and manual detents
- Bellow safety skirting
- Semi-portable
- Portable
- Motion stabilizer
- Fork pockets

SPRING TABLES

MODEL NO.	CAPACITY (LBS.)	STD. PLAT. BASE wide x length (W X D) (IN.)	OVERSIZED PLATFORM (UP TO) (IN.)	LOW HEIGHT (LH) (IN.)	TRAVEL (IN.)	RAISED HT (RH) (IN.)	# OF SPRINGS	SHIPPING WT (LBS)
BASE SIZE: 32" WIDE x 48" LONG								
SPT45	400 - 4500	32 x 48	54 X 54	10	20	30	2	650

BATTERY WINCH STACKERS with FIXED PLATFORM

220 / 330 LBS



BWS220P
BWS330P

- Manual winch and battery models available
- Available in adjustable fork and platform models
- Well designed light weight construction
- Very maneuverable
- Suitable for warehouses, retail, manufacturing, offices, any narrow applications, etc...

CAPACITY

- 220/330 lbs.

LIFT HEIGHT

- 59" / 67"

LOWERED HEIGHT

- 5.2"

SAFETY

- Brake on caster

OPTIONS

- Spindle attachment
- Double spindle
- Reel rotator
- "V" cradle
- Other options available

- please consult factory

BATTERY WINCH STACKER with FIXED PLATFORM

MODEL NO.	CAPACITY (LBS.)	LIFT HEIGHT (IN.)	MIN. PLAT. HEIGHT (IN.)	PLATFORM (IN.)	LOAD WHEEL	STEERING WHEEL	BATTERY	WEIGHT (LBS.)
BWS220P	220	67	5.2	18.5 x 23.6	3" DIA	5" DIA.	24V, 7.2Ah	127
BWS330P	330	59	5.2	18.5 x 23.6	3" DIA	5" DIA.	24V, 7.2Ah	121

ERGO WORK POSITIONERS

1,000/2,000/3,000 LBS



CAPACITY

- 1,000/2,000/3,000 lbs.

LIFT HEIGHT

- 36" / 48" / 60"

LOWERED HEIGHT

- 3 1/4" (see specs)

SAFETY

- Velocity fuse on each cylinder
- Floor lock

POWER SUPPLIES

D/C 12 volt battery
with joy stick activation
and a built in 12 volt charger
(standard)

A/C 110 volt

Hand held pendant (optional)

OPTIONS

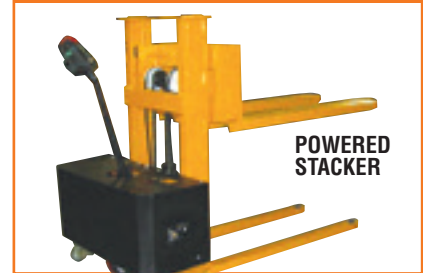
- Different straddle leg sizes
- Different fork width lengths and heights
- D/C battery powered with hand held pendant
- Slip-on platforms

STRADDLE ERGO WORK POSITIONER

MODEL NO.	CAPACITY (LBS.)	LIFT HEIGHT (IN.)	LOW'D FORK HEIGHT (IN.)	FORK WIDTH (IN.)	FORK LENGTH (IN.)	STRADDLE I.D. (IN.)	SHIPPING WEIGHT (LBS.)
SEWP36-10	1,000	36	3 1/4	26 1/2	42	50	600
SEWP36-20	2,000	36	3 1/4	26 1/2	42	50	650
SEWP36-30	3,000	36	3 1/4	26 1/2	42	50	675
SEWP48-10	1,000	48	3 1/4	26 1/2	42	50	625
SEWP48-20	2,000	48	3 1/4	26 1/2	42	50	675
SEWP48-30	3,000	48	3 1/4	26 1/2	42	50	700
SEWP60-10	1,000	60	3 1/4	26 1/2	42	50	650
SEWP60-20	2,000	60	3 1/4	26 1/2	42	50	675
SEWP60-30	3,000	60	3 1/4	26 1/2	42	50	725



OPTIONS



ERGO WORK POSITIONER

MODEL NO.	CAPACITY (LBS.)	LIFT HEIGHT (IN.)	LOW'D FORK HEIGHT (IN.)	FORK WIDTH (IN.)	FORK LENGTH (IN.)	SHIPPING WEIGHT (LBS.)
EWP36-10	1,000	36	3 1/4	26 1/2	42	600
EWP36-20	2,000	36	3 1/4	26 1/2	42	650
EWP36-30	3,000	36	3 1/4	26 1/2	42	675
EWP48-10	1,000	48	3 1/4	26 1/2	42	625
EWP48-20	2,000	48	3 1/4	26 1/2	42	675
EWP48-30	3,000	48	3 1/4	26 1/2	42	700
EWP60-10	1,000	60	3 1/4	26 1/2	42	650
EWP60-20	2,000	60	3 1/4	26 1/2	42	675
EWP60-30	3,000	60	3 1/4	26 1/2	42	725

DRIVE-ON LIFT TABLES

1,000/2,000/4,000 LBS



Self Lubricating
Bronze Bushing in
all Pivot Points



Torsion
Stabilizing Bar

Sealed
Bearings

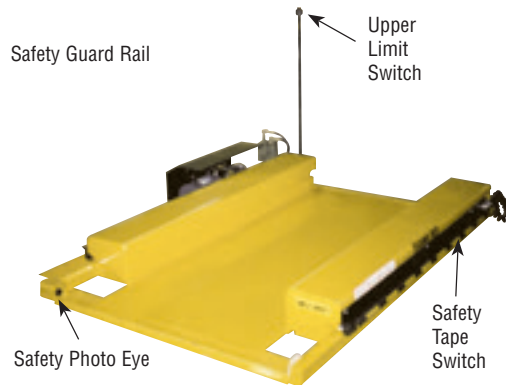
Hold Down
Tabs

OPTIONS & SPECIAL APPLICATIONS



Safety Guard Rail

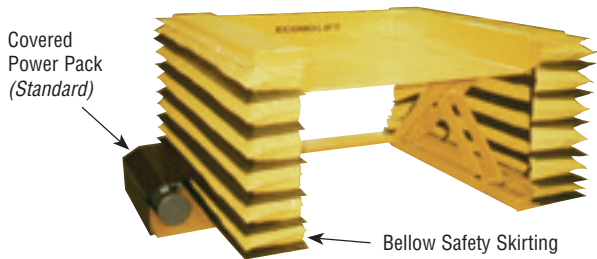
DRIVE THRU LOADING DOCK



Upper
Limit
Switch

Safety Photo Eye

DRIVE THRU LIFT TABLE



Covered
Power Pack
(Standard)

Bellow Safety Skirting



DRIVE THRU PORTABLE LIFT TABLE

TRAVEL

- 30", 38"

SAFETY

- Velocity fuse on each cylinder to eliminate tables from collapsing due to hose failure.
- Hold down tabs on all four corners.

LOWERED HEIGHT OF TABLE

- Floor level

POWER SUPPLIES

A/C 115 volt, 1H.P.

(standard)

- Single phase motor
(hand or foot operated controls standard)

A/C 220/460/575 volt, 1H.P.

- Three phase motors
(optional hand or foot operated controls available)

Air/Hydraulic (standard)

- Foot operated
(hand held pendant available)

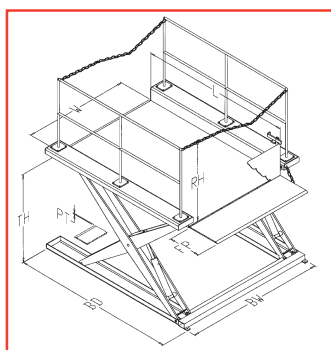
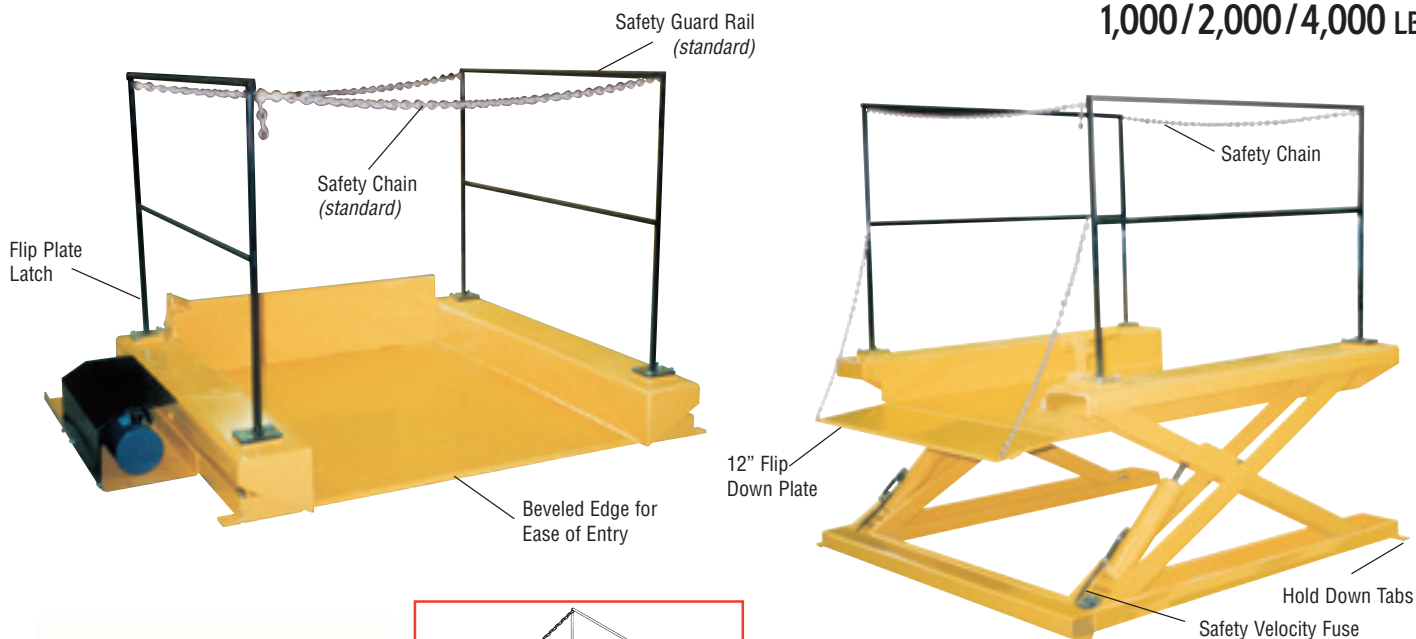
OPTIONS

- Different platform sizes
- Bellow safety skirting / safety touch bars
- Vertical travel - high or lower
- Limit switches / photo eyes
- Eye bolts - for moving lifts easily
- Drive through c/w flip down plate
- Semi-portable c/w dolly handle

MODEL NO.	CAPACITY (LBS.)	PLATFORM SIZE W ₁ x L ₁ (IN.)	LOW'D HEIGHT TP (IN.)	VERTICAL TRAVEL H ₂ (IN.)	OVERALL SIZE W ₃ L ₂ (IN.)	PONTOON LOW'D HEIGHT H ₁ (IN.)	OVERALL HEIGHT H ₃ (IN.)
DO-SL 30-10	1,000	44 x 50	3/8	30	62.5 x 57	8	38
DO-SL 30-20	2,000	44 x 50	3/8	30	62.5 x 57	8	38
DO-SL 30-40	4,000	44 x 50	1/2	30	62.5 x 57	9	39
DO-SL 38-10	1,000	48 x 60	3/8	38	64 x 64	8	46
DO-SL 38-20	2,000	48 x 60	3/8	38	64 x 64	8	46
DO-SL 38-40	4,000	48 x 60	1/2	38	64 x 64	9	47

DRIVE-ON LOADING DOCKS

1,000/2,000/4,000 LBS



TRAVEL

- 38", 60"

SAFETY

- Velocity fuse on each cylinder to prevent tables from collapsing due to hose failure.
- Hold down tabs on all four corners.

LOWERED HEIGHT OF TABLE

- Floor level

POWER SUPPLIES

A/C 115 volt, 1H.P. (standard)

- Single phase motor (hand or foot operated controls standard)

A/C 220/460/575 volt, 3 Phase 1H.P. - 5H.P. (optional)

- Three phase motors (optional hand or foot operated controls available)

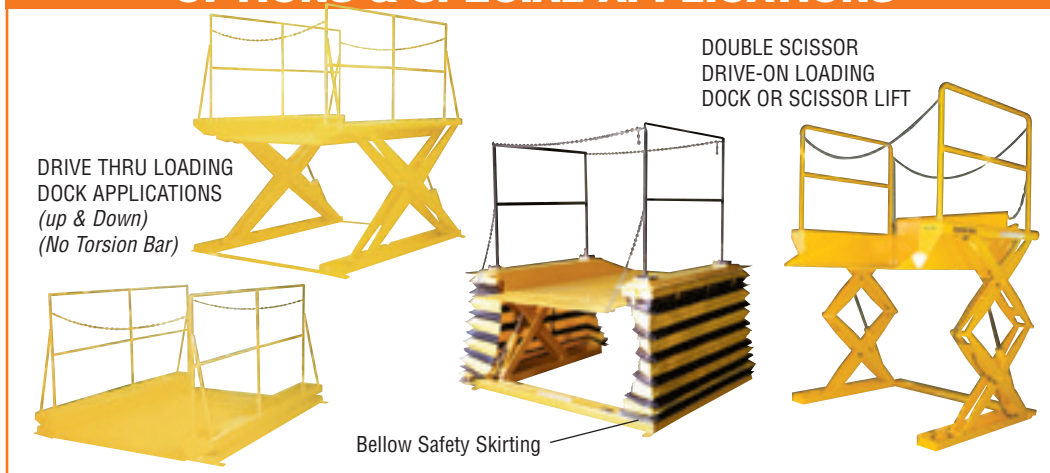
Air/Hydraulic (standard)

- Foot operated (hand held pendant available)

OPTIONS

- Different platform sizes
- Bellow safety skirting / safety touch bars
- Vertical travel-higher or lower
- Limit switches / photo eyes
- Eye bolts - for moving lifts easily
- Semi-portable c/w dolly handle

OPTIONS & SPECIAL APPLICATIONS

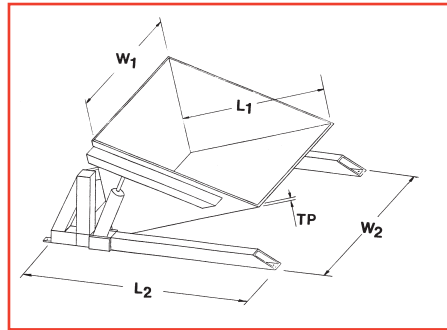
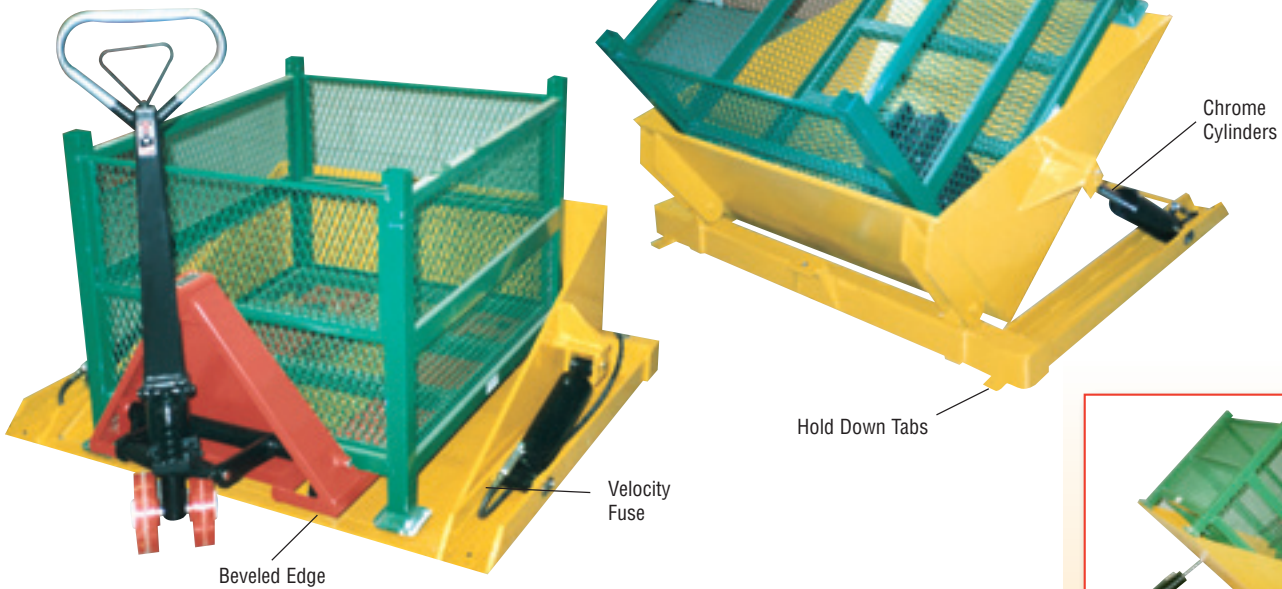


MODEL NO.	CAPACITY (LBS.)	PLATFORM SIZE W x L (IN.)	FLIP PLATE W x L (FP)	PLATE THICKNESS LOW'D HEIGHT (PT)(IN.)	OVERALL LOWERED HEIGHT (IN.)	VERTICAL TRAVEL (TH)(IN.)	OVERALL SIZE (BWXBBD)(IN.)	SHIPPING WEIGHT (LBS.)
DO-LD 38-10	1,000	50 x 60	50 x 18	3/8	2	38	68.8 x 68.5	1,000
DO-LD 38-20	2,000	50 x 60	50 x 18	3/8	2	38	68.8 x 68.5	1,200
DO-LD 38-40	4,000	50 x 60	50 x 18	1/2	2	38	68.8 x 68.5	1,400
DO-LD 60-10	1,000	72 x 96	72 x 18	3/8	2	60	92 x 103	1,600
DO-LD 60-20	2,000	72 x 96	72 x 18	1/2	2	60	92 x 103	1,800
DO-LD 60-40	4,000	72 x 96	72 x 18	1/2	2	60	92 x 103	2,000

DRIVE-ONS

DRIVE-ON TILT TABLES

1,000/2,000/4,000 LBS



TILT ANGLE

- 0-45°

SAFETY

- Velocity fuse on each cylinder to eliminate tables from collapsing due to hose failure.
- Hold down tabs on all four corners.

LOWERED HEIGHT OF TABLE

- Floor level

POWER SUPPLIES

A/C 110 volt (standard)

Single phase motor
(hand or foot operated controls available)

A/C 460/575 volt (optional)

Three phase motors

Air/Hydraulic (standard)

Foot operated

OPTIONS

- Different platform sizes
- Bellow safety skirting
- Limit switches
- Photo Eye
- Semi-portable c/w dolly handle

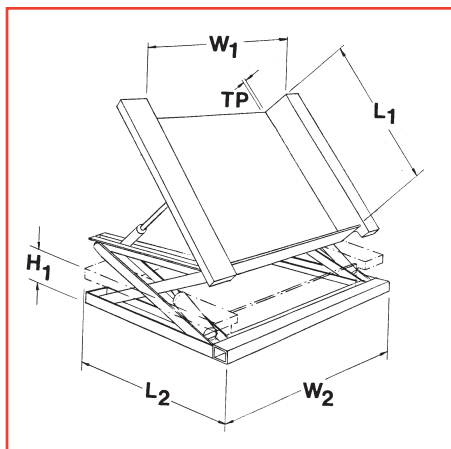
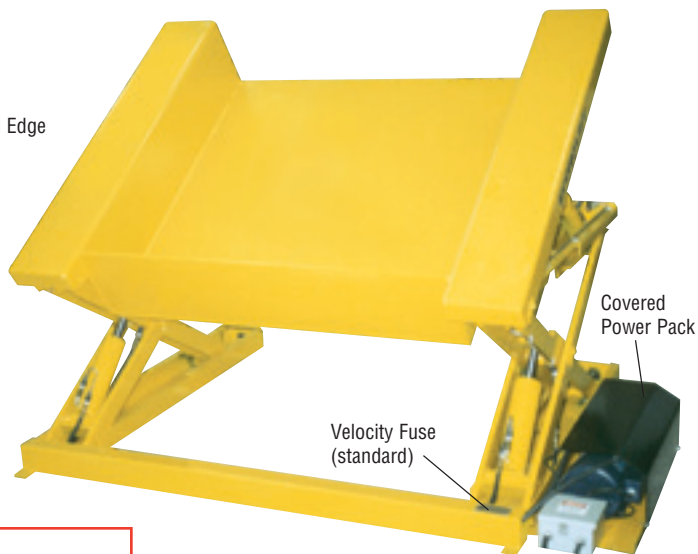
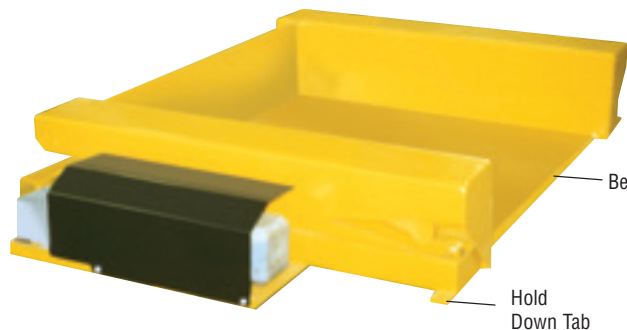
OPTIONS & SPECIAL APPLICATIONS



MODEL NO.	CAPACITY (LBS.)	PLATFORM SIZE W ₁ x L ₁ (IN.)	LOW'D HEIGHT TP (IN.)	TILT ANGLE (degrees)	OVERALL SIZE W ₂ x L ₂ (IN.)
DO-TRT10-4450	1,000	44 x 50	3/8	45	55 x 54
DO-TRT20-4450	2,000	44 x 50	3/8	45	55 x 54
DO-TRT40-4450	4,000	44 x 50	1/2	45	55 x 54
DO-TRT10-5050	1,000	50 x 50	3/8	45	61 x 54
DO-TRT20-5050	2,000	50 x 50	3/8	45	61 x 54
DO-TRT40-5050	4,000	50 x 50	1/2	45	61 x 54

DRIVE-ON LIFT/TILT TABLES

1,000/2,000/4,000 LBS



TRAVEL

- 30", 38"

TILT ANGLE

- 0-45°

SAFETY

- Velocity fuse on each cylinder to eliminate tables from collapsing due to hose failure
- Hold down tabs on all four corners

LOWERED HEIGHT OF TABLE

- Floor level

POWER SUPPLIES

A/C 110 volt

Single phase motor
(hand or foot controls
standard draws approx.
15 amps)

A/C 460/575 volt

Three phase motors
(optional)

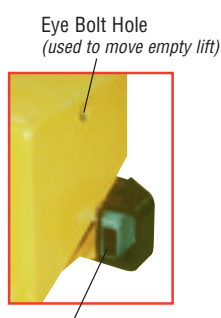
Air/Hydraulic

Foot operated (Standard)
(hand held pendant optional)

OPTIONS

- Different platform sizes
- Bellow safety skirting / safety touch bars
- Vertical travel - high or lower
- Limit switches / photo eyes
- Eye bolts - for moving lifts easily
- Semi Portable - for moving empty lifts, c/w dolly handle

OPTIONS & SPECIAL APPLICATIONS

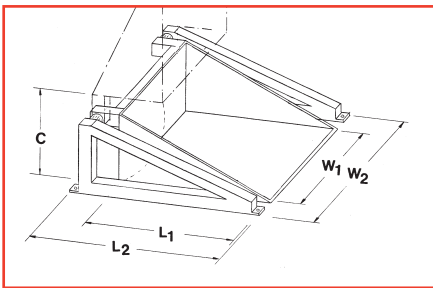


MODEL NO.	CAPACITY (LBS.)	PLATFORM SIZE W ₁ x L ₁ (IN.)	LOW'D HEIGHT TP (IN.)	VERTICAL TRAVEL H ₂ (IN.)	OVERALL SIZE W ₂ L ₂ (IN.)	LOW'D HEIGHT H ₁ (IN.)	OVERALL HEIGHT H ₃ (IN.)
DO-SL/TRT 30-10	1,000	50 x 50	3/8	30	68.5 x 56	12	42
DO-SL/TRT 30-20	2,000	50 x 50	3/8	30	68.5 x 56	12	42
DO-SL/TRT 30-40	4,000	50 x 50	1/2	30	68.5 x 56	12	42
DO-SL/TRT 38-10	1,000	50 x 60	3/8	38	68.5 x 66	12	50
DO-SL/TRT 38-20	2,000	50 x 60	3/8	38	68.5 x 66	12	50
DO-SL/TRT 38-40	4,000	50 x 60	1/2	38	68.5 x 66	12	50

DRIVE-ONS

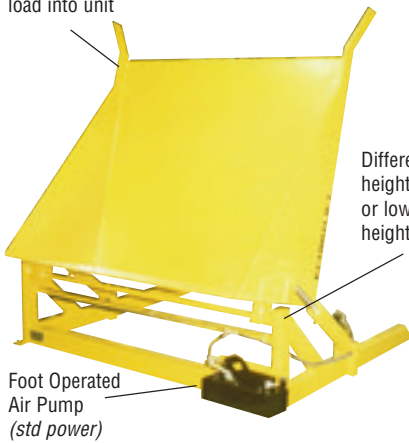
DRIVE-ON HIGH POINT FILTERS

1,000/2,000/4,000 LBS

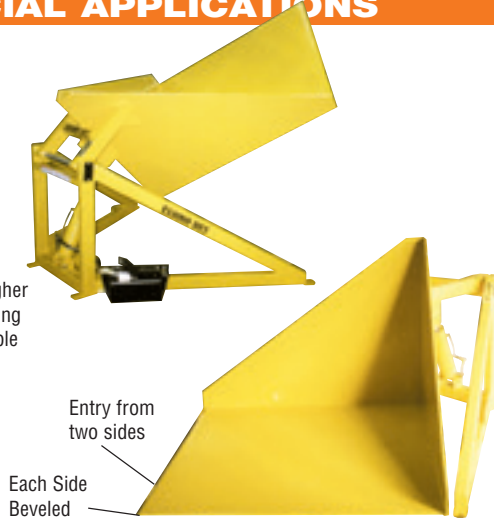


OPTIONS & SPECIAL APPLICATIONS

Guides to help position load into unit



Different pivot heights for higher or lower working heights available



Entry from two sides

Each Side Beveled

GAYLORD CORNER TILTER

TILT ANGLE

- 0-90 degrees

SAFETY

- Velocity fuse on each cylinder to eliminate collapsing due to hose failure
- Maximum reach in tilted position to end of back plate - 30"

POWER SUPPLIES

Air/Hydraulic (standard)

Foot Pedal Standard (hand control optional)

A/C 110/1/60 volt (standard)

Hand or foot control

A/C 460/575/3/60 volt (optional)

Hand or foot control

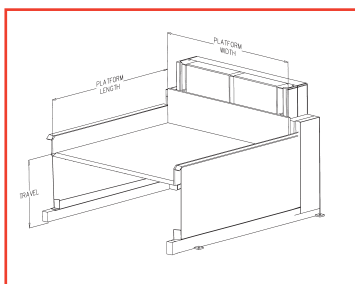
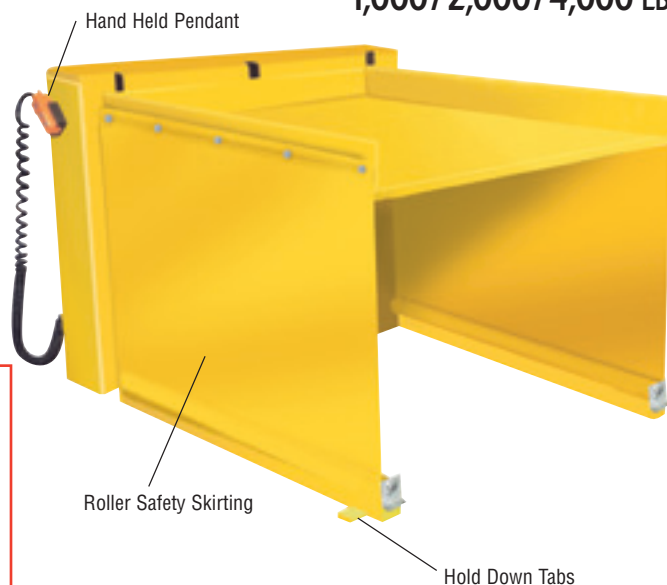
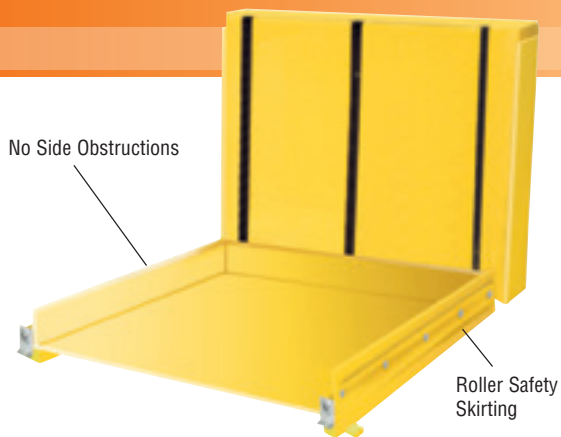
OPTIONS

- Photo Eyes
- Safety Skirts
- Increase/restrict tilt angle
- Full plated platform
- Increase/reduce platform size
- Semi-portable c/w dolly handle

SPECIFICATIONS		DO-HPT10	DO-HPT20	DO-HPT40
Capacity	lbs.	1,000	2,000	4,000
Platform Size	in.	50" x 48"	50" x 48"	50" x 48"
W ₁ x L ₁		60" x 50"	60" x 50"	60" x 50"
Platform Thickness - TP		3/8"	3/8"	1/2"
Tilt Angle		0-90°	0-90°	0-90°
Height from Floor at 90° - C		32"	32"	32"
Height of Back Plate		30"	30"	30"
Total Dimensions		57" x 59.5"	57" x 59.5"	57" x 59.5"
W ₂ x L ₂		67" x 61.5"	67" x 61.5"	67" x 61.5"

DRIVE-ON PLATFORM LIFTS

1,000/2,000/4,000 LBS



VERTICAL TRAVEL

- 28"

SAFETY

- Velocity fuse on each cylinder to eliminate collapsing due to hose failure
- Hold down tabs on all four corners
- Photo eye to interrupt lowering in the event of an obstruction (optional)

LOWERED HEIGHT

- Floor level
- Beveled edge on platform

POWER SUPPLIES

A/C 115/1/60 volt
Hand control (std)
(foot optional)

A/C 460/575 volt
Three phase motors (optional)

Air/Hydraulic
Foot Control is available

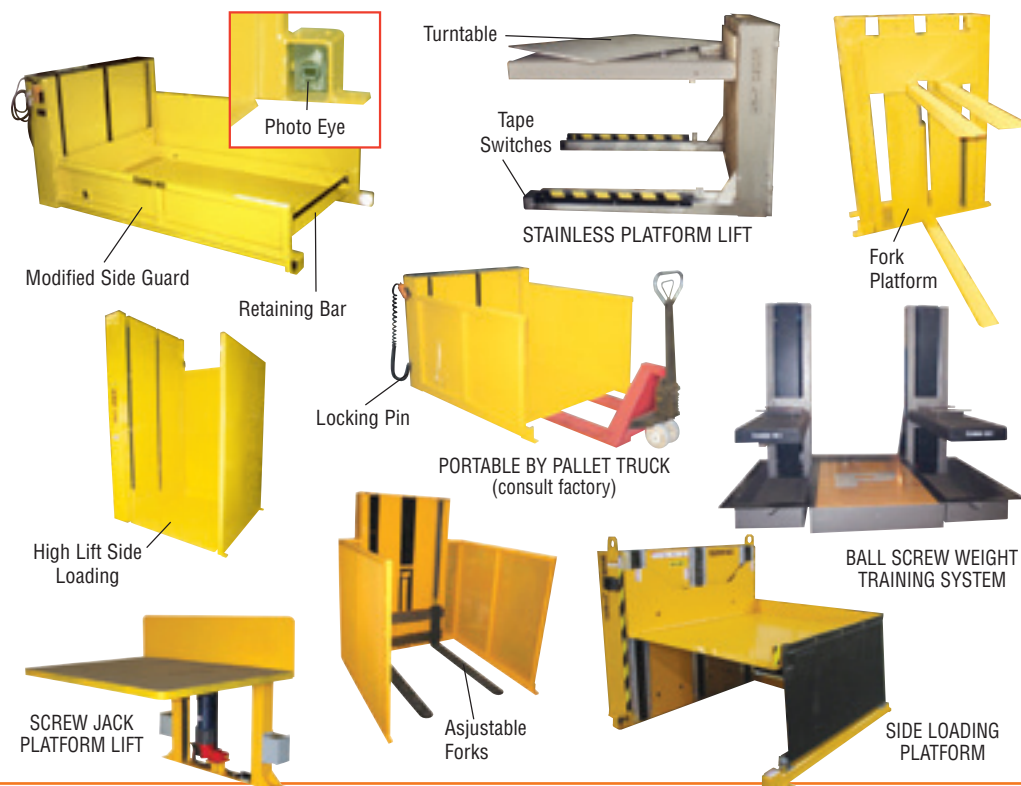
PORTABILITY

- Pins to lock platform 3 1/2" off ground so a pallet truck or fork lift can easily move unit to another area

OPTIONS

- Platforms wider or longer
- Higher lift height
- Galvanized, stainless steel or "Steel-it" epoxy paint available
- Side Loading
- Tape Switches
- Turntable
- Retaining Bar
- Safety Photo Eye

OPTIONS & SPECIAL APPLICATIONS

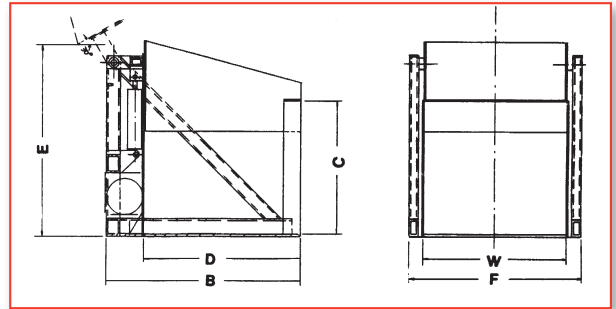
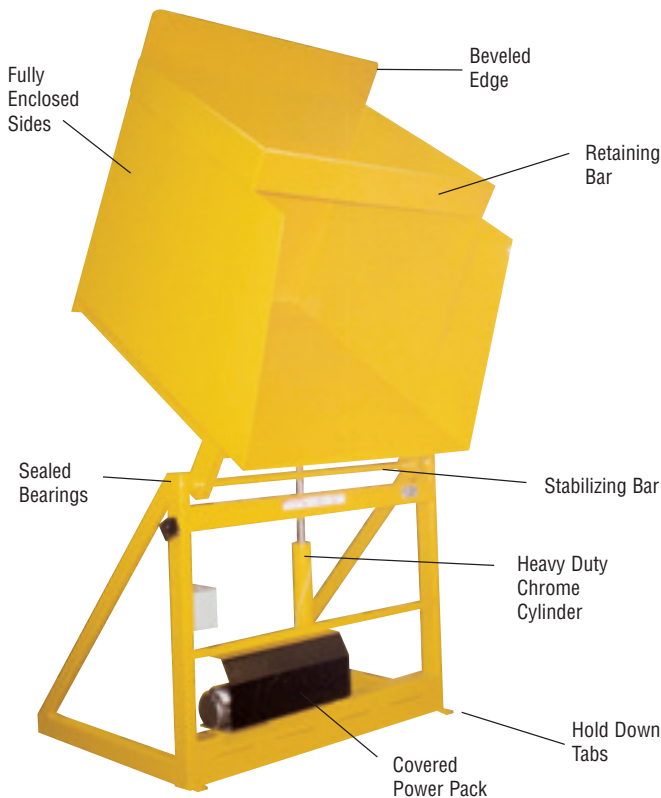


DRIVE-ONS

MODEL NO.	CAPACITY (LBS.)	PLATFORM SIZE (IN.)	LOW'D HEIGHT (IN.)	VERTICAL TRAVEL (IN.)	OVERALL SIZE (IN.)	REAR HEIGHT (IN.)
DO-PL44-10	1,000	44 x 50	3/8	28	51 x 62	46
DO-PL50-10	1,000	50 x 50	3/8	28	57 x 62	46
DO-PL44-20	2,000	44 x 50	1/2	28	51 x 62	46
DO-PL50-20	2,000	50 x 50	1/2	28	57 x 62	46
DO-PL44-40	4,000	44 x 50	1/2	28	51 x 62	46
DO-PL50-40	4,000	50 x 50	1/2	28	57 x 62	46

STATIONARY DUMPERS

1,000/2,000/4,000/6,000 LBS



CAPACITY

- 1,000/2,000/4,000/6,000 lbs.

BASE SIZES

- 48" wide x 36" long
and 50" wide x 50" long

DUMPING ANGLE

- 0° - 120°

RETAINING BAR

- Fixed bar - mounted 3" above container height, located above opening
- Spring loaded bar available for multiple container heights (optional)

SAFETY

- Velocity fuse is standard on each cylinder to eliminate dumpers from collapsing due to hose failure
- Hold down tabs in each corner
- Flow control and pressure equalizing valve built in each pump
- Fully enclosed sides to give the dumper stability, avoid spillage and funnel product

POWER SUPPLIES

- A/C 110/1/60 volt (standard)
- Hand held (standard)
- Foot control (optional)
- A/C 220-460-575/3/60 volt
- Hand or foot controlled (optional)

Air/Hydraulic

- Foot control (standard)
- Hand control (optional)

OPTIONS

- Larger/smaller platform sizes
- Increase/reduce pump height
- Portability
- Limit switchcases
- Special electrical controls
- Chute attachments
- Galvanized, stainless steel, "Steel It" epoxy paint
- Stands for higher dumping applications
- Side guards

STATIONARY DUMPER

MODEL NO.	CAPACITY (LBS.)	PLAT. SIZES (W x D) (IN.)	DUMP HEIGHT (E) (IN.)	TILT ANGLE	R'TEG BAR (C) (IN.)	OVERALL DIM. (F x B) (IN.)
DUMP HEIGHT 36"						
SD 36-10	1,000	48 x 36	36	0 - 120°	UP TO 40	54 x 52
		50 x 50	36	0 - 120°	UP TO 40	56 x 66
SD 36-20	2,000	48 x 36	36	0 - 120°	UP TO 40	54 x 52
		50 x 50	36	0 - 120°	UP TO 40	56 x 66
SD 36-40	4,000	48 x 36	36	0 - 120°	UP TO 40	54 x 52
		50 x 50	36	0 - 120°	UP TO 40	56 x 66
SD 36-60	6,000	48 x 36	36	0 - 120°	UP TO 40	54 x 52
		50 x 50	36	0 - 120°	UP TO 40	56 x 66
DUMP HEIGHT 48"						
SD 48-10	1,000	48 x 36	48	0 - 120°	UP TO 48	54 x 52
		50 x 50	48	0 - 120°	UP TO 48	56 x 66
SD 48-20	2,000	48 x 36	48	0 - 120°	UP TO 48	54 x 52
		50 x 50	48	0 - 120°	UP TO 48	56 x 66
SD 48-40	4,000	48 x 36	48	0 - 120°	UP TO 48	54 x 52
		50 x 50	48	0 - 120°	UP TO 48	56 x 66
SD 48-60	6,000	48 x 36	48	0 - 120°	UP TO 48	54 x 52
		50 x 50	48	0 - 120°	UP TO 48	56 x 66
DUMP HEIGHT 60"						
SD 60-10	1,000	48 x 36	60	0 - 120°	UP TO 60	54 x 52
		50 x 50	60	0 - 120°	UP TO 60	56 x 66
SD 60-20	2,000	48 x 36	60	0 - 120°	UP TO 60	54 x 52
		50 x 50	60	0 - 120°	UP TO 60	56 x 66
SD 60-40	4,000	48 x 36	60	0 - 120°	UP TO 60	54 x 52
		50 x 50	60	0 - 120°	UP TO 60	56 x 66
SD 60-60	6,000	48 x 36	60	0 - 120°	UP TO 60	54 x 52
		50 x 50	60	0 - 120°	UP TO 60	56 x 66

See page 29 for options available.

STATIONARY DUMPERS

1,000/2,000/4,000/6,000 LBS

OPTIONS & SPECIAL APPLICATIONS



PORTABLE DUMPER W/
ADJUSTABLE
RETAINING BAR



PORTABLE DUMPER W/
NARROW
DISCHARGE CHUTE



SIDE LOADING DUMPER



DUMPER ON A STAND
WITH LOCK OUT CAGE



STATIONARY DUMPER
W/ADJUSTABLE
RETAINING BAR



STATIONARY DUMPER
W/STAINLESS DISCHARGE CHUTE
& SPECIAL RETAINING SCREEN



STATIONARY DUMPER WITH
ADJUSTABLE CHUTE ATTACHMENT
AND SAFETY SKIRTING



PORTABLE FORK
OVERARM DUMPER



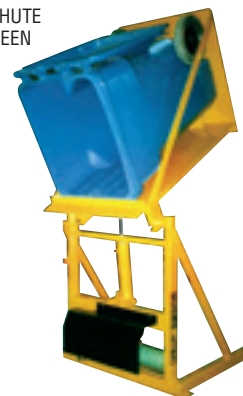
FULLY AUTOMATED DUMPER
WITH MANUAL OVER RIDE
AND "E" STOP



STATIONARY FORK OVERARM
DUMPER FOR DUMPING
PORTABLE CONTAINERS



SAFETY GATE
WITH LOCK OUT



WHEELED CART DUMPER



"STEEL-IT" PAINTED FOOD
GRADE DUMPER



STAINLESS STEEL DOUGH
TROUGH DUMPER



STAINLESS STEEL
DUMPER

Stainless Glass Bead Finish



PORTABLE STAINLESS STEEL
"V" MAG DUMPER



GALVANIZED DUMPER
WITH STAINLESS CHUTE

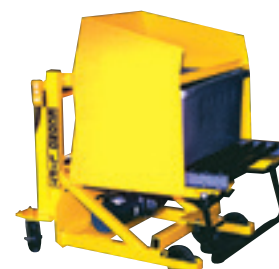


STATIONARY DUMPER
WITH HYDRAULIC GATES

PORTABLE SIDE LOADING
DUMPER WITH STAINLESS
STEEL CHUTE



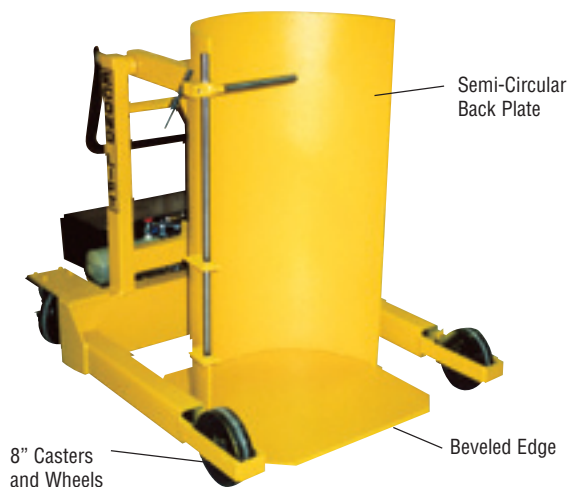
STATIONARY
CONVEYOR
DUMPER



PORTABLE CONVEYOR
DUMPER WITH CHUTE

PORTABLE DRUM DUMPERS

750 / 1,000 / 2,000 LBS



CAPACITY

- 750 / 1,000 / 2,000 lbs.

DUMP HEIGHTS

- 36", 48", 60"

BACKPLATE DIAMETER

- 24"

PLATFORM SIZE

- 24" x 24"

CASTERS/ WHEELS

- 8" dia. x 2" wide

RETAINING BAR

- Fixed
- Adjustable

SAFETY

- Velocity fuse (in case of hose failure it will stop unit from coming down)
- Down flow control - built into power pack, (pressure compensated)
- Heavy duty floor lock

POWER OPTIONS

A/C 110 volt /1/60

Hand held pendant (standard)

A/C 230/460/575/3/60 power

Optional

Air/Hydraulic

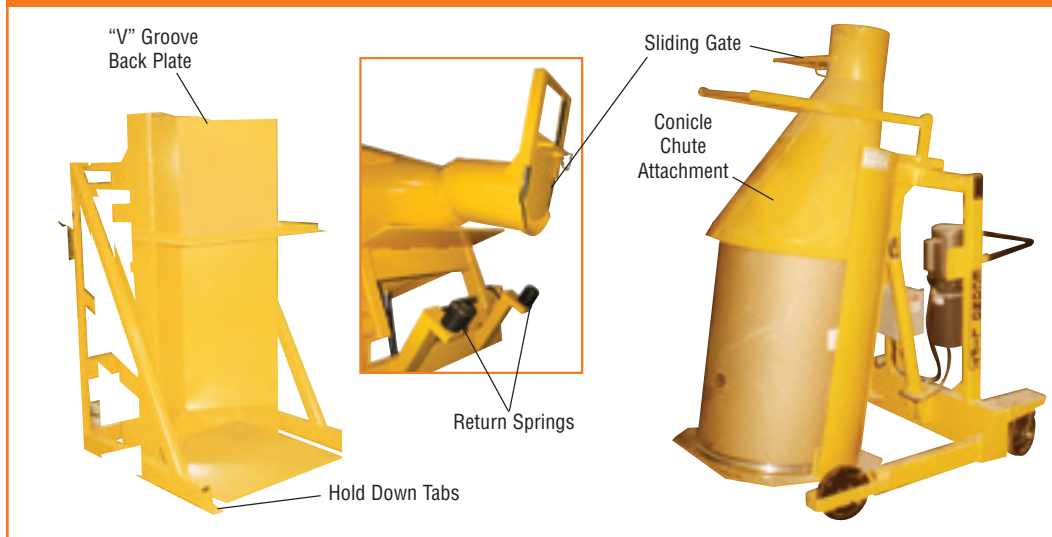
Foot control (standard)

Hand held pendant (optional)

OPTIONS

- Increase/decrease: platform, diameter of backplate, dump height, tilt angle
- Chute attachments
- Fixed retaining bars
- Stainless Steel
- Galvanized
- "Steel-it" epoxy finish paint
- Limit switches
- "V" groove back plate

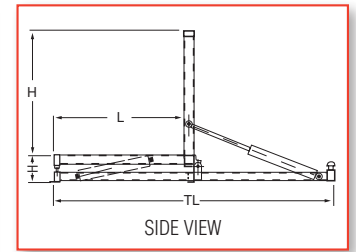
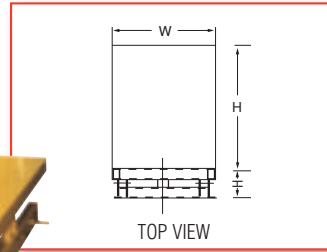
OPTIONS & SPECIAL APPLICATIONS



MODEL NO.	CAPACITY (LBS.)	DUMP HEIGHT (IN.)	CHUTE REACH (IN.)	BACKPLATE DIAMETER (IN.)	DUMP ANGLE (DEGREES)	EXTENDED OVERHEAD HEIGHT (IN.)	OVERALL DIMENSIONS (W x L)(IN.)	SHIPPING WEIGHT (LBS)
PDD36-7.5	750	36	25	24	0-120	90	34 x 51	625
PDD36-10	1,000	36	25	24	0-120	90	34 x 51	675
PDD36-20	2,000	36	25	24	0-120	90	34 x 51	800
PDD48-7.5	750	48	15	24	0-120	98	34 x 51	650
PDD48-10	1,000	48	15	24	0-120	98	34 x 51	700
PDD48-20	2,000	48	15	24	0-120	98	34 x 51	850
PDD60-7.5	750	60	15	24	0-120	118	34 x 51	690
PDD60-10	1,000	60	15	24	0-120	118	34 x 51	750
PDD60-20	2,000	60	15	24	0-120	118	34 x 51	900

STATIONARY UPENDERS

1,000/2,000/4,000/6,000 LBS



OPTIONS & SPECIAL APPLICATIONS

CAPACITY

- 1,000/2,000/4,000/6,000 lbs.

LOW HEIGHT

- 10"

TILT ANGLE

- 0-90 degrees

SAFETY

- Velocity fuses on each cylinder to eliminate the table from collapsing
- Hold down tabs on all four corners

CYLINDERS

- Double acting

POWER

- A/C 110 volt, single phase (standard) amp draw 15(+)
amps
- Hand or foot control

OPTIONAL

- A/C 220/460/575, three phase available
- Hand or foot control (standard)
- Larger/smaller platforms
- "V" backplates for rolls/coils
- Conveyors
- Safety skirting



MODEL NO.	CAPACITY (LBS.)	PLATFORM SIZE width x length x height (IN.)	LOW'D HEIGHT TP (IN.)	TOTAL LENGTH (IN.)	TILT ANGLE
SU36-10	1,000	36 x 36 x 36	10	76	0 - 90°
SU36-20	2,000	36 x 36 x 36	10	76	0 - 90°
SU36-40	4,000	36 x 36 x 36	10	76	0 - 90°
SU36-60	6,000	36 x 36 x 36	10	76	0 - 90°
SU52-10	1,000	52 x 52 x 52	10	108	0 - 90°
SU52-20	2,000	52 x 52 x 52	10	108	0 - 90°
SU52-40	4,000	52 x 52 x 52	10	108	0 - 90°
SU52-60	6,000	52 x 52 x 52	10	108	0 - 90°

DUMPERS & UPENDERS

MANUAL TURNTABLES

1,000/2,000/4,000/6,000 LBS

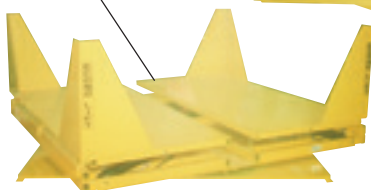


OPTIONS & SPECIAL APPLICATIONS



Conveyor mounted on Turntable

Tilt Tables Mounted on a Turntable



Corner Guides



CAPACITY

- 1,000 / 2,000 / 4,000 / 6,000 lbs.

BEARINGS

- 2" diameter
- Sealed ball bearing type

ROTATION

- 360°

LOW HEIGHT

- 5"

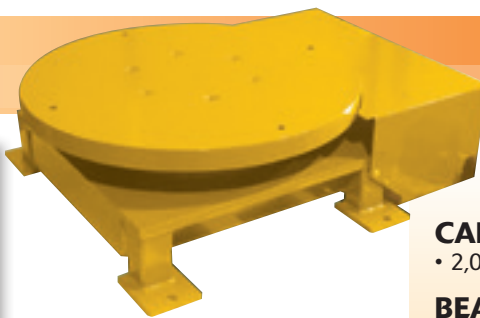
OPTIONS

- Spring loaded detents
- Manual detents
- Larger / smaller platforms

MODEL NO.	CAPACITY (LBS.)	PLATFORM SIZE W ₁ x L ₁ (IN.)	OVERSIZED PLATFORM UP TO (IN.)	LOWERED HEIGHT (IN.)	WEIGHT (LBS.)
TT 24-10	1,000	24 x 24	40 x 40	5	190
TT 24-20	2,000	24 x 24	40 x 40	5	210
TT 24-40	4,000	24 x 24	40 x 40	5	240
TT 24-60	6,000	24 x 24	40 x 40	5	255
TT 48-10	1,000	48 x 48	60 x 60	5	350
TT 48-20	2,000	48 x 48	60 x 60	5	375
TT 48-40	4,000	48 x 48	60 x 60	5	450
TT 48-60	6,000	48 x 48	60 x 60	5	475

POWER TURNTABLES

2,000/4,000/6,000 LBS



CAPACITY

- 2,000 / 4,000 / 6,000 lbs.

BEARINGS

- Tapered roller bearing

ROTATION

- 360°

POWERED OPTIONS

- AC 110/1/60 or 460/575/3/60 (connector plug not included)

STANDARD

- Smooth steel rectangular or circular tops
- All models have center slew ring with support bearings
- NEMA 12 prewired controls - forward/reverse. Push button control with 8' cable
- 1/2 to 3/4HP geared brake motor on powered models

* CUSTOM SIZES, CAPACITIES AND OPTIONS ARE AVAILABLE

OPTIONS & SPECIAL APPLICATIONS



TURNTABLE with Wire Mesh Guides

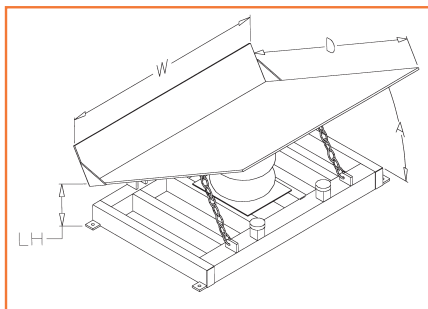
WORK CELL TURNTABLE with Wire Mesh Guides



MODEL NO.	CAPACITY (LBS.)	PLATFORM SIZE W ₁ x L ₁ (IN.)	OVERSIZED PLATFORM UP TO (IN.)	LOWERED HEIGHT (IN.)	WEIGHT (LBS.)
PTT36-20	2,000	36" DIA. OR SQUARE	48" DIA. OR SQUARE	12	350
PTT36-40	4,000	36" DIA. OR SQUARE	48" DIA. OR SQUARE	12	400
PTT36-60	6,000	36" DIA. OR SQUARE	48" DIA. OR SQUARE	12	450

TILT TABLES

1,000/2,000/4,000/6,000 LBS



CAPACITY

- 1,000/2,000/4,000/6,000 lbs.

TILT ANGLE

- 0-40 degrees (standard)

FRONT RETAINING LIP

- 8" high (standard)

SAFETY

- Restraining chain
- Maintenance Bar

LOWERED HEIGHT

- 9"

POWER SUPPLY

Air

- Pedestal Mounted Hand Control (up/down valve)
- Covered Foot Control (optional)



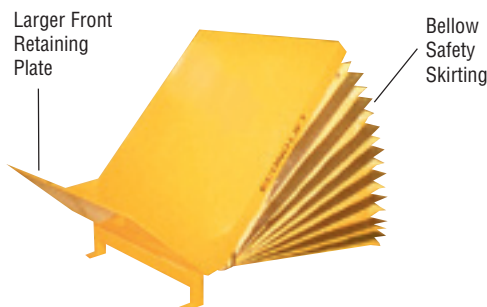
SAFETY

- Bellow safety skirting
- Retaining lip - larger or smaller
- Conveyor or ball transfer tops

OPTIONS

- Platforms: larger or smaller
- Tilt Angle: restricted
- Mounted on carousel
- Ross air valves

OPTIONS & SPECIAL APPLICATIONS

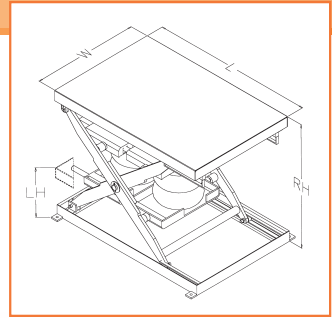
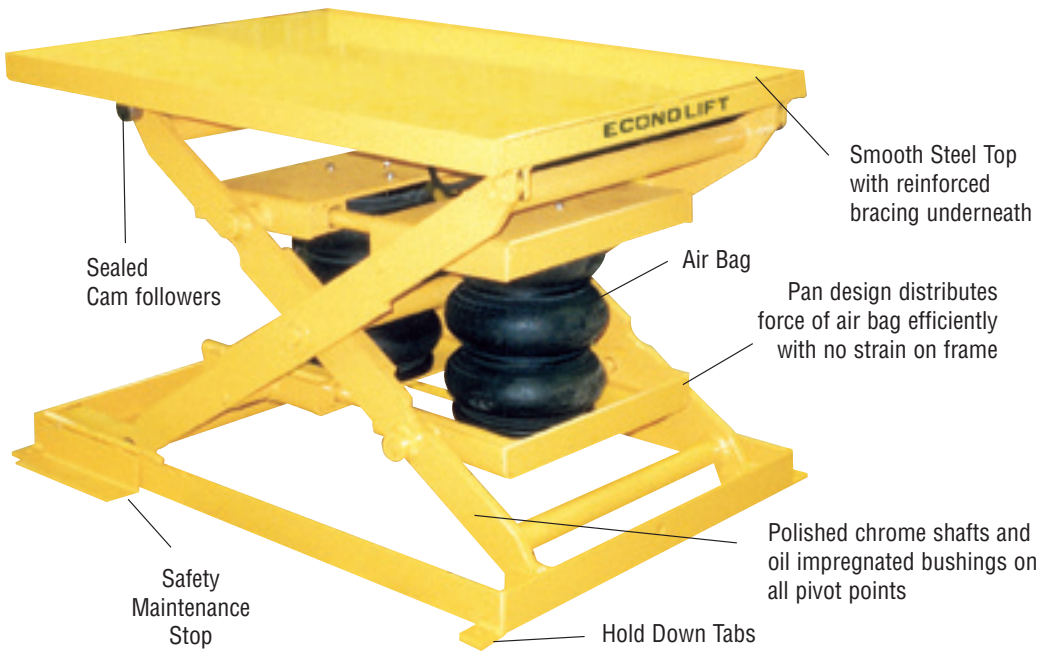


OVERSIZE PLATFORM

MODEL NO.	CAPACITY (lbs.)	PLATFORM SIZE wide x deep (W x D) (IN.)	MAXIMUM PLATFORM SIZE wide x deep (W x D) (IN.)	LOW HEIGHT (LH) (IN.)	TILT ANGLE (A)	WEIGHT (lbs.)
36" WIDE AIR BAG TILT TABLES						
ABTRT-1-3636	1,000	36 x 36	48 x 48	9	30°	250
ABTRT-2-3636	2,000	36 x 36	48 x 48	9	30°	380
ABTRT-4-3636	4,000	36 x 36	48 x 48	9	30°	410
ABTRT-6-3636	6,000	36 x 36	48 x 48	9	30°	430
50" WIDE AIR BAGS TILT TABLES						
ABTRT-1-5050	1,000	50 x 50	72 x 72	9	30°	320
ABTRT-2-5050	2,000	50 x 50	72 x 72	9	30°	450
ABTRT-4-5050	4,000	50 x 50	72 x 72	9	30°	490
ABTRT-6-5050	6,000	50 x 50	72 x 72	9	30°	580

LIFT TABLES

1,000/2,000/4,000/6,000 LBS



CAPACITY

- 1,000/2,000/4,000/6,000 lbs.

PLATFORM SIZES

- 32" wide x 48" long to 72" wide x 72" long

BASE SIZES

- Standard 32" and 48" wide x 48" long

TRAVEL

- 24" vertical travel

LOWERED HEIGHT

- 9"

SAFETY

- Flip over maintenance stop
- Captured rollers

POWER SUPPLY

Air Bag

- Pedestal Mounted Hand Control (up/down valve)
- Covered Foot Control (optional)



OPTIONS & SPECIAL APPLICATIONS



MAINTENANCE

- Hinged table top provides easy access to air bag
- Self lubricated bronze bushings on all wear points

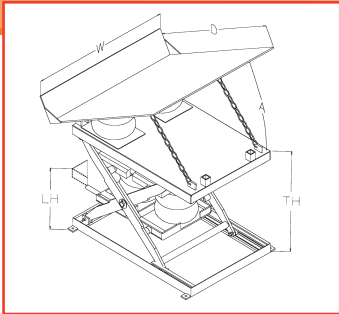
OPTIONS

- Oversized platforms
- Corner gussets
- Beveled edges for pit mounting
- Eye-bolts for pit mounting
- Rotating tops
 - spring detents
 - manual detents
- Roller conveyor, Ball transfer tops
- Bellow safety skirting
- Semi-portable
- Portable
- Motion stabilizer
- Fork pockets
- Safety lock-out valves
- Ross air valves

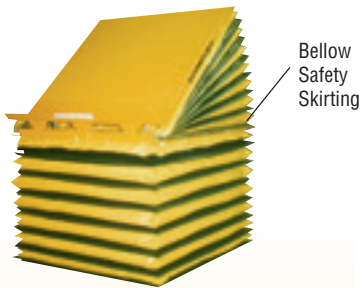
MODEL NO.	CAPACITY (LBS.)	STD. PLAT. BASE wide x length (W X D) (IN.)	OVERSIZED PLATFORM (UP TO) (IN.)	LOW HEIGHT (LH) (IN.)	TRAVEL (IN.)	RAISED HT (RH) (IN.)	# AIR BAGS	SHIPPING WT (LBS)
BASE SIZE: 32" WIDE x 48" LONG								
ABSL 10-3248	1,000	32 x 48	56 x 72	9	24	33	1	650
ABSL 20-3248	2,000	32 x 48	56 x 72	9	24	33	1	685
ABSL 40-3248	4,000	32 x 48	56 x 72	9	24	33	2	725
BASE SIZE: 48" WIDE X 48" LONG								
ABSL 10-4848	1,000	48 x 48	72 x 72	9	24	33	1	720
ABSL 20-4848	2,000	48 x 48	72 x 72	9	24	33	1	745
ABSL 40-4848	4,000	48 x 48	72 x 72	9	24	33	2	870
ABSL 60-4848	6,000	48 x 48	72 x 72	9	24	33	4	925

LIFT/TILT TABLES

1,000/2,000/4,000/6,000 LBS



OPTIONS



Bellow Safety Skirting

CAPACITY

- 1,000/2,000/4,000/6,000 lbs.

TILT ANGLE

- 0-40 degrees (standard)

LOWERED HEIGHT

- 15"

TRAVEL

- 24"

FRONT RETAINING LIP

- 8" high (standard)

POWER SUPPLY

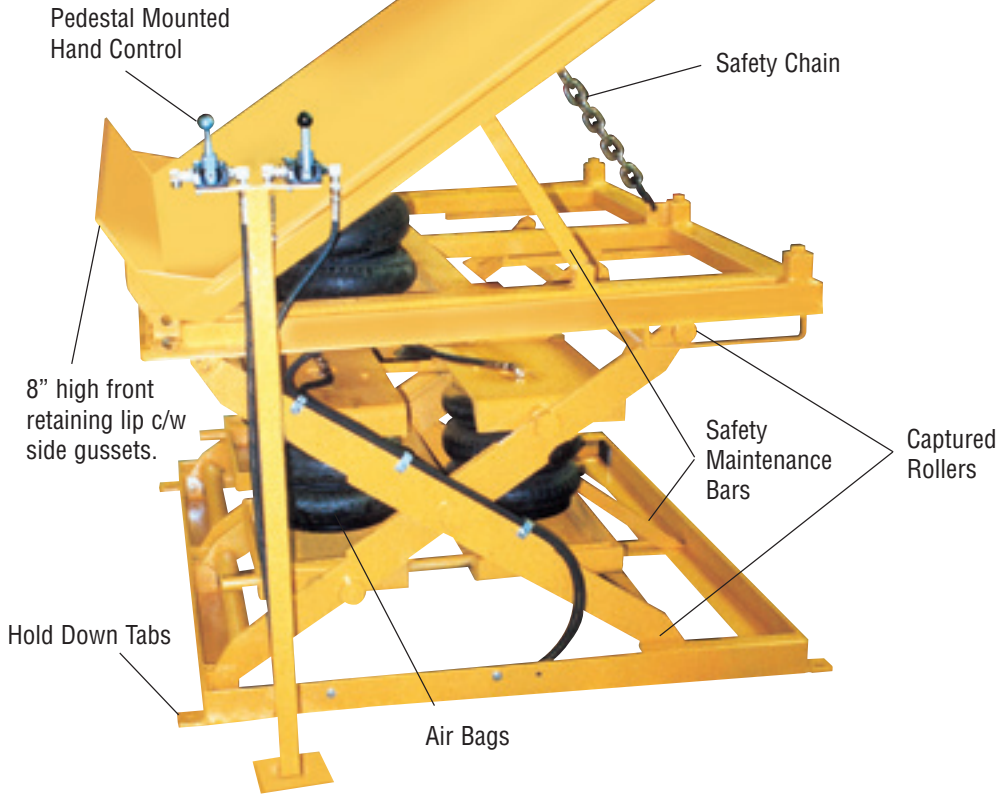
Air

- Pedestal Mounted Hand Control (up/down valve)
- Covered Foot Control (optional)



OPTIONS

- Platforms: wider or deeper
- Bellow safety skirting
- Stainless steel, galvanized or 'steel-it' painted units
- Lift/tilt: reduced
- Ross valves

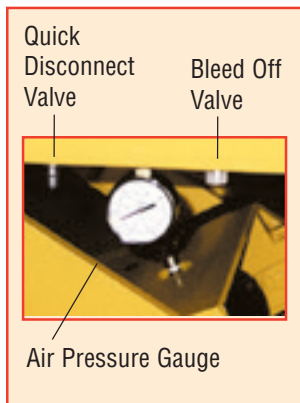


MODEL NO.	CAPACITY (LBS)	STD. PLAT. BASE (W x L) (IN.)	OVERSIZED PLATFORMS (UP TO) (IN.)	LOW HT (LH) (IN.)	TRAVEL (IN.)	RAISED HEIGHT (TH) (IN.)	TILT ANGLE (A) Degrees	APPROX. WT (LBS)
BASE SIZE: 36" WIDE X 48" DEEP								
ABTR-SL10-3660	1,000	36 x 48	60 x 72	15	24	39	30	1000
ABTR-SL20-3660	2,000	36 x 48	60 x 72	15	24	39	30	1150
ABTR-SL40-3660	4,000	36 x 48	60 x 72	15	24	39	30	1295
ABTR-SL60-3660	6,000	36 x 48	60 x 72	15	24	39	30	1395
BASE SIZE: 48" WIDE X 48" DEEP								
ABTR-SL10-4848	1,000	48 x 48	72 x 72	15	24	39	30	1195
ABTR-SL20-4848	2,000	48 x 48	72 x 72	15	24	39	30	1295
ABTR-SL40-4848	4,000	48 x 48	72 x 72	15	24	39	30	1395
ABTR-SL60-4848	6,000	48 x 48	72 x 72	15	24	39	30	1495
BASE SIZE: 60" WIDE X 48" DEEP								
ABTR-SL10-6048	1,000	60 x 48	84 x 72	15	24	39	30	1295
ABTR-SL20-6048	2,000	60 x 48	84 x 72	15	24	39	30	1395
ABTR-SL40-6048	4,000	60 x 48	84 x 72	15	24	39	30	1495
ABTR-SL60-6048	6,000	60 x 48	84 x 72	15	24	39	30	1595

AIR BAGS

ERGO SELF LEVELLER

450 - 4,500 LBS



Pressure Gauge
Quick Disconnect and manual bleed off valve

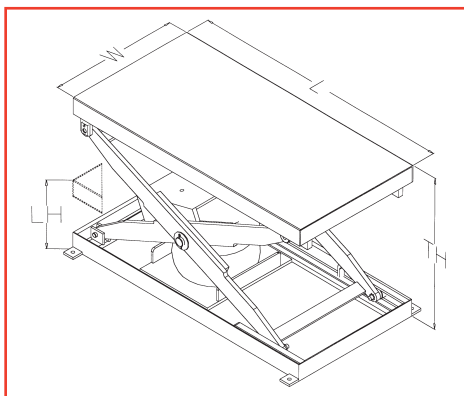


Hold Down Tabs
Air Bag
Captured Rollers

Total Height Available
Weight on Unit vs P.S.I. (in inches)

WEIGHT (LBS)	TOTAL HEIGHT		
	at 100 P.S.I.	at 80 P.S.I.	at 60 P.S.I.
0	33	33	33
250	30	28.5	27
500	28.25	26.75	25
1000	27	26	23.5
1500	26	25	22.75
2000	24.25	23.25	20.75
3000	19.25	17.75	15.25
4000	13.5	12.5	10.25
4500	10.5	9	9

NOTE: All total heights have a tolerance between +/- .25".



CAPACITY

- 450-4,500 lbs.

PLATFORM SIZES

- 32" wide x 48" long
to 56" wide x 72" long

BASE SIZE

- 32" wide x 48" wide

TRAVEL

- 24"

LOWERED HEIGHT

- 9"

SAFETY

- Restraining Chain
- Maintenance Bar

POWER SUPPLY

- Air

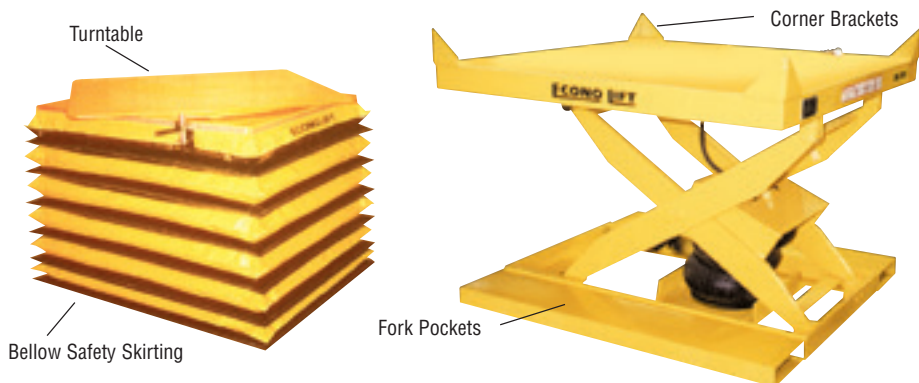
MAINTENANCE

- Hinged table top provides easy access to air bag
- Self lubricated bronze bushings on all wear points

OPTIONS

- Oversized platforms
- Beveled edges for pit mounting
- Eye-bolts for pit mounting
- Rotating tops
 - spring detents
 - manual detents
- Roller conveyor, Ball transfer tops
- Bellow safety skirting
- Semi-portable
- Portable

OPTIONS & SPECIAL APPLICATIONS



MODEL NO.	CAPACITY (LBS.)	PLATFORM/BASE SIZE (W x L) (IN.)	LOW -HEIGHT (LH) (IN.)	TRAVEL (IN.)	TOTAL HT (TH) (IN.)	WEIGHT (LBS)
ESL45	450-4,500	32 x 48	9	24	33	600

AIR BAGS

STANDARD TERMS & CONDITIONS

AGREEMENT: These terms and conditions and any schedules attached hereto shall constitute the entire Agreement between Econo Lift Ltd. (hereinafter referred as "Econo") and Buyer for all Equipment and services to be provided to Buyer noted on the reverse, and supersedes all prior agreements, understandings, negotiations and discussions, whether written or oral. There are no conditions, covenants, agreements, representations, warranties or other provisions, express or implied, collateral, statutory or otherwise, relating to the subject matter hereof except as provided in this agreement.

DELIVERY: Delivery dates are estimates and not guarantees and are based on conditions at the time of this Agreement. Econo will use its best effort in the ordinary course of its business to affect deliveries as specified, but in no event shall Econo be liable for any damage, consequential or otherwise, arising from any failure of Econo to meet any delivery date. Buyer shall not be entitled to terminate this agreement in the event of a late delivery of the drawings or Equipment.

RISK OF LOSS: Risk of loss with respect to the Equipment furnished under this Agreement shall pass to the Buyer at the time of delivery of the products to the carrier for shipment. F.O.B. points shall be the Econo factory otherwise specified

PAYMENT: Prior to commencing the manufacture of the Equipment, Econo shall invoice Buyer for the purchase price of the Equipment pursuant to this Agreement (which invoice may also reflect charges for freight, handling, taxes and other amounts payable to Econo hereunder). All amounts specified in any such invoice shall be paid by Buyer to Econo at the times and in accordance with this Agreement. Buyer shall provide the deposit(s) noted on the reverse on the dates noted therein. All deposits are non-refundable. Any amount due hereunder from Buyer and not paid by the due date hereon shall bear interest at the rate of two percent (2%) per month (24% per annum). Such interest shall be in addition to and without limitation of any other right or remedies which Econo may have under this Agreement or at law or in equity. Buyer agrees to pay any legal fees and costs incurred by Econo in the collection of any delinquent amounts due to under this Agreement. Buyer shall be responsible for all taxes arising out of or related to the provisions of products and services under this Agreement, including but not limited to sales excise taxes. Such taxes shall be in addition to the purchase price unless otherwise specified. Should any government or governmental body, board or agency impose or increase any applicable sales, excise or other taxes beyond those in effect at the date of this contract, Econo reserves the right to increase prices to the Buyer by an amount sufficient to cover such additional taxes. Econo will review the Buyer's credit worthiness prior to Econo's acceptance of this agreement

MANUFACTURE, DRAWINGS AND SPECIFICATIONS: The Equipment shall be constructed and manufactured in a good and workmanlike manner in accordance with drawings that have been prepared by Econo in reliance on specifications supplied by Buyer (the "Drawings"), within a reasonable time after acceptance and execution of this agreement by Buyer. Manufacture of Equipment by Econo shall only commence after Drawings have been jointly approved by Econo and the Buyer. Manufacturing services performed hereunder by Econo shall not be interpreted as approval of design of function by the Buyer. Econo assumes no liability whatsoever with regard to the Buyer's compliance or fulfillment of its obligations with respect to any statute, regulation or by-law prevailing at any of the surveyed locations, or the Buyer's failure to so comply with or fulfill its obligations. Manufacture of Equipment shall be made in accord with the specifications and materials noted herein and on the Drawings. No agreement or other understanding in any way changing or adding to any matters specified on the approved Drawings herein shall be binding on Econo or confer any rights on the Buyer unless attached hereto and by reference herein made a part of this agreement or made in writing signed by an authorized representative of Econo. Any cost incurred by Econo in making alterations necessitated by the furnishing by the Buyer of incorrect data and specifications will be charged to the Buyer. Buyer shall be responsible for all costs and expenses incurred from any changes to the approved Drawings or the specifications noted therein. The Buyer agrees to have an authorized member of the Buyer approve all drawings and specifications submitted by the Econo with respect to the Equipment within 10 days from date received from Econo. Failure to approve shall be considered an event of default. Buyer is solely liable and responsible for ensuring that the drawings and specifications for the Equipment are consistent with and meet the Buyer's requirements. Econo makes no representations regarding validity, soundness, strength, accuracy or adequacy of the specifications provided by Buyer and does not assume any liability or responsibility for the validity, soundness, strength, accuracy or adequacy of the specifications provided by the Buyer with respect to the Equipment not specifically set out in this Agreement. Econo will not be responsible for the performance of the Equipment where the Equipment is manufactured to the Buyer's own specifications. Buyer shall provide drawings, drafts and sketches, including the approved Drawings forthwith upon demand of Econo. The Buyer shall hold the Econo harmless against any expense or loss resulting from infringement of patents, trade marks or any other intellectual property rights arising from compliance with the Buyer's designs, specifications or instructions. All plans, drawings, designs or specifications supplied by one party to the other shall remain the property of, and shall be returned to, the first party on request or at termination or expiry of this agreement and shall not be copied and no information relating to the Equipment or special tooling shall be disclosed to any third party except for the purpose of this agreement. No photographs of a party's equipment, installations or property shall be taken without that party's prior written consent. Each party shall keep secret and shall not divulge to any third party any information received from the other party in connection with this agreement or which becomes known to the first party through its performance of this agreement or use the information other than for the purpose of fulfilling the terms of this agreement. All drawings, including without limitation, the approved Drawing shall be protectable by patent or other legal proprietary protection made or conceived during the term of this agreement and shall be the sole property of Econo. All Equipment will be furnished subject to commercial variations in material and production operations incident to the processes employed in manufacturing unless otherwise specified.

ACCEPTANCE BY BUYER: The Equipment shall be deemed accepted by Buyer of the date of receipt of the Equipment by Buyer. The Buyer shall have fifteen (15) days after such date to give Econo written notice that the Equipment does not conform to the drawings and specifications and to specify in detail the reasons therefore. Econo may then, at its sole election, proceed to make any necessary corrections. Under no circumstances shall Buyer be entitled to revoke acceptance of the Equipment subsequent to acceptance thereof.

TITLE TO THE EQUIPMENT: SEQ CHAPTER 1h 1r 1 Title to, property in and ownership of the Equipment shall remain in the Econo's name until payment in full of the purchase price has been made. The Equipment shall not be removed from the premises of the Buyer without the written consent of Econo even in the ordinary course of business.

SECURITY: The Buyer hereby grants to the Econo a purchase money security interest in the Equipment. SEQ CHAPTER 1h 1r 1 all personal property in any form derived from any dealing with the Equipment and the proceeds therefrom and all other assets of the Buyer including insurance proceeds and any other payment representing indemnity or compensation for loss together with all personal property and proceeds therefrom, until payment in full of the purchase price has been made, and agrees to do all things and to execute all documents necessary to protect such security interest. The Buyer appoints the Econo as its attorney to execute any documents or other instruments necessary to perfect and enforce the Econo's security interest. In the event of non-payment by the Buyer of any part of the purchase price, the Econo retains the right to remove the Equipment without notice, and any additional charges for removal or disassembly, as the case may be, shall be to the account of the Buyer.

LIMITED WARRANTY: Econo warrants to the original Buyer only, that the Equipment will be free from defects in material or workmanship for a period of 12 months after shipment from its factory, unless otherwise specified. Econo shall, at its option, repair or replace free of charge within the warranty period any components or assemblies supplied by Econo which prove to be defective in workmanship or materials, subject to the following: (a) The warranty period for all welded, structural, mechanical, pneumatic and hydraulic components and lead acid batteries shall be 12 months from the shipment date; (b) The warranty period for all electrical components shall be 6 months from the shipment date, or such other period specified by the manufacturer(s) of said electrical components; (c) Items supplied by Econo, but not of its manufacture, carry the original manufacturer's warranty which is passed on to the Buyer who will be required to deal directly with the manufacturer of such items on any warranty issues pertaining thereto. This warranty does not apply to damage or loss due to accident, improper use (including, without limitation, overloading), negligence, improper maintenance or modification of any part of the Equipment by the Buyer, its agents, employees, invitees and any person for whom it is in law responsible. This warranty is non-transferable and extended only to the original Buyer of the Equipment. THERE ARE NO EXPRESS OR IMPLIED WARRANTIES, INCLUDING THE IMPLIED WARRANTIES OF MERCHANTABILITY AND FITNESS FOR A PARTICULAR PURPOSE, NOT SPECIFIED HEREIN RESPECTING THIS AGREEMENT, EQUIPMENT, SOFTWARE, PRODUCTS, DOCUMENTATION OR SERVICES PROVIDED. Econo assumes no liability for damages arising from the use of the Equipment by the Buyer or any third party. By purchasing Econo Equipment, the Buyer assumes all liability for any damages of any kind which may result from its use or misuse by the Buyer, Buyer's employees, agents, contractors or any other third party unknown to Econo or the Buyer, including damages due to failure of the Equipment.

WARRANTY CLAIM PROCEDURE: A warranty authorization number must be issued by Econo to Buyer before any parts are returned or service is performed. The warranty authorization number and a detailed explanation of the warranty claim must accompany the Equipment or parts returned for service. Econo reserves the right to request prepaid returns of such defective parts to its factory for inspection and evaluation. Warranty work will be done at Econo's facilities unless otherwise authorized. Replacement parts will be shipped F.O.B. from Econo's factory. Econo reserves the right of final determination on the validity of all warranty claims.

DEFAULT. If the Buyer is in default under this agreement and this default continues for five days after written notice of the default by Econo, then Econo may terminate the agreement with respect to the affected equipment, products or service. Econo has the right to declare the entire amount of the unpaid balance and any other charges to be immediately due and payable and to exercise any other remedy existing at law or in equity, including taking possession of the equipment, products and related documentation without notice or demand, and the sale, lease or other disposition of the equipment. The Buyer shall pay the Supplier all costs and expenses including legal fees (on a substantial indemnity basis) incurred in exercising its rights or remedies. In the event of default by the Buyer, Econo may require the Buyer to assemble the equipment and products provided under this agreement and make them available at a time and place reasonably convenient to Econo. No delay or failure of the Supplier to exercise any rights or remedy operates as a waiver of such rights or remedy. Buyer default includes (a) Non-payment of any account when due or non-performance of any obligation under this agreement or breach by the Buyer of any warranty or representation contained in this agreement (b) Dissolution, insolvency, receivership, assignment for the benefit of creditors or the commencement of any proceeding under any bankruptcy or insolvency laws by or against the Customer or any guarantor or surety of the Customer; and (c) Sale, encumbrance, seizure or attachment of any unit of the equipment prior to the passing of title to Customer;

DAMAGES: Econo, its officers, directors, agents and servants and its affiliates and their respective officers, directors, agents and servants shall not be liable to the Buyer nor to any other party for any liability, including without limitation, strict liability, including liability for loss or damages due directly or indirectly to occurrences or consequences which Econo's design and manufacturing services are designed to identify, any losses or damages, including without limitation economic and consequential losses, or direct or indirect, incidental, exemplary and punitive damages whether in contract, tort or otherwise or any other claims or expenses in any manner resulting, including without limitation liability, losses or damages directly or indirectly from, or connected with, the supply of the Equipment or the drawings or the manufacturing services whether or not supplied pursuant to this agreement, or from the discovery or elimination of any and all hazards, or from the failure to so discover or eliminate, or from the failure to provide the drawings, Equipment or manufacturing services or by reason of any action, omission, active negligence, passive negligence, including gross negligence or any error or omission in the drawings, Equipment or manufacturing services or any use or application thereof, misrepresentation, misstatement, imprudence, lack of skill or error of judgment of or by Econo or its officers, directors, agents and servants or its affiliates and their respective officers, directors, agents and servants. Notwithstanding anything in this Agreement to the contrary, Econo shall have no liability whatsoever whether arising in contract, tort, or otherwise, for loss of capital, loss of product, loss of profit, loss of use, loss of power, power outages, cost of replacement power, or any indirect, special, incidental or consequential damages.

GOVERNING LAW & COMPLIANCE: This Agreement shall be construed, interpreted and enforced in accordance with, and the respective rights and obligations of the parties shall be governed by, the laws of the Province of Ontario and the federal laws of Canada applicable therein, and each party irrevocably and unconditionally submits to the non-exclusive jurisdiction of the courts of such province and all courts competent to hear appeals therefrom.

SEVERABILITY OF PROVISIONS: If any provision of this Agreement is determined by a court of competent jurisdiction to be invalid, illegal or unenforceable in any respect, such determination shall not impair or affect the validity, legality or enforceability of the remaining provisions hereof, and each provision is hereby declared to be separate, severable and distinct.

FORCE MAJEURE. Econo's obligations under this contract are and shall be subject to acts of God, war, invasion, insurrection, riot, the order of any civil authority, breakdowns, strikes, lockouts, labour disputes, accidents, fire, indement weather, delays in transportation or delivery of Equipment or any other cause or causes, whether or not similar to any of the foregoing, beyond Econo's reasonable control, and Econo shall not be liable for any loss or damages of any kind or nature whatsoever, whether direct, indirect or consequential, suffered by any person as a result of any such causes or any delay resulting therefrom. Econo reserves the right to terminate this contract should fulfillment hereof in whole or in part be delayed or rendered impossible by any of the foregoing causes. In the event of such termination, Econo's liability and obligations under or arising out of this contract shall cease except with respect to any Equipment shipped hereunder prior to such termination and the Buyer shall remain liable to accept and pay for Equipment so shipped.

BANKRUPTCY. If Buyer is declared or adjudicated bankrupt or makes a general assignment for the benefit of creditors or a proposal or arrangement under the Bankruptcy and Insolvency Act or any successor legislation thereto, commits an act of bankruptcy or proposes a compromise or arrangement or institutes proceedings or admits in writing an inability to pay debts generally as they become due, or a petition is filed against a party under the Bankruptcy Act, or a liquidator, trustee in bankruptcy, custodian, receiver, receiver and manager or any other officer with similar powers is appointed for the party, Econo may elect to terminate this agreement and discontinue all further manufacture, design or delivery.



POLICIES & PROCEDURES

SALES POLICY

All prices quoted are F.O.B. Mississauga, Ontario. Prices are subject to change without notice. Product specifications and designs may also change without prior notice.

SHIPPING POLICY

All freight is shipped F.O.B. Econo Lift Limited. Freight charges will be made "Third Party Bill" by carrier, unless other arrangements have been made.

Econo Lift Limited is not responsible for loss or damage in transit. It is the responsibility of the receiver (consignee) to inspect for damage and to file claims against the carrier. Econo Lift Limited will assist the consignee whenever possible in filing for claims.

RETURN POLICY

Returned lifts and parts Will not be accepted without prior authorization. A return lift or parts authorization number (RLA number or RPA number) must be issued and accompany any returned lift or part. Returned lifts and parts are subject to a 20% restocking charge. Damaged lifts are subject to additional surcharges.

WARRANTY POLICY

Econo Lift Limited warrants their products to be free from defects in material or workmanship for a period of time from the date of shipment. A 1-year warranty is put on all welded structural, mechanical and hydraulic components and a 180-day warranty on electrical components.

NOTE: Lead acid batteries are warranted by the battery manufacturer for a period of 1 year from date of shipment. Econo Lift's limited warranty does not cover lifts or parts damaged by overloading, abuse or neglect in operation, accidents, or by the lack of normal maintenance.

WARRANTY CLAIM PROCEDURE

A warranty Authorization Number must be issued before any parts are returned or service performed. Warranty work will be done at Econo Lift's facilities unless other arrangements have been authorized. A Warranty/Return Authorization Number must accompany any lift or part returned for service. Parts returned for inspection will have all transportation charges prepaid and a complete explanation of claim should accompany the lift or part. Replacement parts will be shipped F.O.B. Ont., Factory. Econo Lift Limited reserves the right of final determination on the validity of all warranty claims.

(For full Terms & Conditions see Inside Back Cover)

www.econolift.net

DISTRIBUTED BY:



877.832.4154

513.742.1000
513.742.6083 fax

9378 Mason Montgomery Road
Suite #405
Mason, OH 45040



TILTING • DUMPING • LIFTING • TURNING

FOR SPECIAL SIZES AND CAPACITIES PLEASE CONSULT THE FACTORY

